



*HASSELBLAD*  
SWEDEN



HASSELBLAD

SWEDEN

[www.clubhasselblad.com](http://www.clubhasselblad.com)

VICTOR HASSELBLAD

*Aktiebolag*

GÖTEBORG • SWEDEN

The drawings show the latest construction of the parts. In exceptional cases it may happen that the part to be exchanged does not correspond exactly with the drawing. In this case, kindly note on your order that the part desired does not conform with the drawing.

At the end of this catalogue are a number of order forms. They are transparent in case any detail has to be traced.

Die Zeichnungen zeigen die letzte Ausführung der Teile. Es kann ausnahmsweise eintreffen, dass der Teil, der ausgetauscht werden soll, nicht genau mit dem Abgebildeten übereinstimmt. Wir bitten Sie in diesem Falle bei Bestellung anzugeben, dass das Detail abweichendes Aussehen hat.

Am Ende des Deckes gibt es Bestellzettel. Sie sind durchsichtig um behilflich zu sein, falls ein Detail abgezeichnet werden soll.

Les dessins montrent la dernière construction des différentes parties. Il se peut exceptionnellement qu'une de vos parties ne corresponde pas exactement à celle du dessin. En ce cas indiquez-nous dans votre ordre quel est le détail différent.

Au dos de la couverture vous trouverez des feuilles de commande. Elles sont transparentes au cas où un détail a besoin d'être copié.

Los dibujos muestran el último sistema de fabricación de las diferentes partes. Por una excepción puede suceder que la parte que haya de cambiarse no sea exactamente igual a la del dibujo. En tal caso, indíquese en la hoja de pedido que el detalle tiene aspecto diferente.

Al final de la carpeta hay varias hojas de pedido. Son transparentes para el caso en que algún detalle necesite calcarse.

# Repair guide for the camera body

C

Fault	Possible Causes
C1 <i>Knob cannot be wound, mirror stays up.</i>	<ol style="list-style-type: none"><li>1 Clutch components on shaft (P.5 for 20537) strike against each other, while curtains have not travelled fully.</li><li>2 Release assembly (P.3 20526) behind shutter-release-button is stuck.</li></ol>
C2 <i>Knob cannot be wound, mirror is partly down.</i>	<ol style="list-style-type: none"><li>1 Lifting-stud (P.6 on 12150) stuck against stud on L-arm (P.3 12046).</li><li>2 Broken teeth on gear-wheels.</li><li>3 Mirror interferes against lens mounting.</li><li>4 Pawl for middle gear-wheel (P.7 12087) slips, due to loosened rivet.</li></ol>
C3 <i>Knob cannot be wound, mirror is down, shutter-curtains partly wound.</i>	<ol style="list-style-type: none"><li>1 Broken brake (P.5 12605 and/or 12606) in spring assembly.</li><li>2 Shutter mechanism (P.3) blocked or stuck.</li></ol>
C4 <i>Knob can be wound normally. Mirror goes down but curtains do not wind; or else the shutter curtains are released immediately.</i>	<ol style="list-style-type: none"><li>1 Clutch components (P.5 on shaft 20537) broken.</li><li>2 Catch (P.6 on 12160) does not engage on part P.9 12162.</li><li>3 Mirror release arm (P.7 12103) is loose or works stiffly.</li><li>4 Mirror-winding-arm (P.2 20688) in knob-mechanism is loose.</li></ol>
C5 <i>Button release does not function. Curtains fully wound but full knob-winding action cannot be completed.</i>	<ol style="list-style-type: none"><li>1 Clutch (P.5 on shaft 20537) engages a half revolution (or more) too early, after fault C9 has occurred.</li></ol>
C6 <i>Button release does not function. Mirror completely down.</i>	<ol style="list-style-type: none"><li>1 A fault somewhere in the transmission from winding-knob to lowest gear-wheel in the mechanism. Knob movement for time-setting in faulty position.</li><li>2 Mirror release-arm (P.7 12103) is loose or works stiffly. See C4-3.</li></ol>
C7 <i>Automatic exposure action has begun, but cannot continue. Mirror in partly UP-position.</i>	<ol style="list-style-type: none"><li>1 Mirror is loose. This usually applies to the whole group (P.6 12652, 20572, 12761, 20651, 12630) - because the shaft (P.6 12187) has become disengaged from its coupling (P.6 20530).</li><li>2 Mirror winding-arm (P.2 20688) does not function correctly with the winding-knob (P.2 20520).</li><li>3 Mirror drags against corrugated side walls.</li><li>4 Lifting stud (P.6 on 12150) stops against stud on L-arm (P.3 12046); see C2-1. 3-claw device (P.3 20539) works stiffly.</li><li>5 Obstruction in winding-knob mechanism (P.2).</li></ol>
C8 <i>Automatic exposure action has begun, but cannot be completed. Mirror has returned to the UP-position.</i>	<ol style="list-style-type: none"><li>1 Spring for 1st curtain broken (right coil-spring (P.5 12367).</li><li>2 Obstruction in shutter mechanism (P.3).</li></ol>
C9 <i>Curtains do not give an exposure, or curtain stops within picture area.</i>	<ol style="list-style-type: none"><li>1 Lock (P.3 20539 in shutter mechanism deformed.</li><li>2 Jump in bevelled timing-gears (P.3 12048 and P.7 12119).</li><li>3 Loose bevelled gear-wheel (P.3 12048) on time-setting-shaft (P.3 12050).</li><li>4 Broken curtain-spring (compare with C8-1 and C13-2).</li><li>5 Delay-action mechanism (P.4 or 4a) slips or races.</li></ol>

Continued

Fault	Possible Causes
C10 <i>Curtains give uneven or wrong exposure.</i>	<ol style="list-style-type: none"> <li>1 Stiffness in spring-housing (P.5 12158), curtain shafts, rollers, or shutter-mechanism (P.3).</li> <li>2 Broken spring-catch, visible, but not numbered, to the right of washer (P.3 D-3,55×6,5×A).</li> <li>3 Creases, dents or other defects in curtains. ✓</li> <li>4 Pin in curtain clutch component (P.5 on shaft 20537) out of position.</li> <li>5 Space between curtains and spring-power needs adjusting.</li> </ol>
C11 <i>Under-exposed strip on the negative at the edge opposite the two small notches (that is, under-exposed at the end of exposure).</i>	<ol style="list-style-type: none"> <li>1 First curtain (P.5 20537) bounces.</li> </ol>
C12 <i>Over-exposed strip on the negative at the edge opposite the two small notches (that is, over-exposed at the end of exposure).</i>	<ol style="list-style-type: none"> <li>1 Second curtain (P.5 20538) bounces.</li> </ol>
C13 <i>Shutter aperture remains open after completing release action.</i>	<ol style="list-style-type: none"> <li>1 Second curtain (P.5 20538) split.</li> <li>2 Broken coil-spring (P.5 12367 to the left) of second curtain (P.5 20538).</li> <li>3 Brake for second curtain out of position.</li> <li>4 Delay-action mechanism (P.4) does not release the second curtain.</li> </ol>
C14 <i>Red-white signal does not change.</i>	<ol style="list-style-type: none"> <li>1 Signal (P.7 20515) works stiffly, or else connecting springs (P.7 VF 40, VF 41) are defective.</li> <li>2 Release assembly (P.3 20526) behind shutter release-button does not return fully to its "ready" position (compare C1-2).</li> </ol>
C15 <i>Film winding trouble.</i>	<ol style="list-style-type: none"> <li>1 Gear-wheel (P.7 12092) in camera does not mesh with, but strikes top of, teeth of gear-wheel (P.12 12216) in film magazine.</li> <li>2 Catch (P.12 12308) in film magazine is not released by plunging-rod (P.7 12336) in camera.</li> </ol>
C16 <i>Ground-glass image not sharp but blurred.</i>	<ol style="list-style-type: none"> <li>1 Mirror does not go fully down to its supports (compare C7-3).</li> <li>2 Mirror is loose (compare C7-1).</li> <li>3 Ground-glass (P.6 20548) and Ektalite-field lens (P.6 12360) in wrong position.</li> <li>4 Ground-glass (P.6 20548) and Ektalite-field lens (P.6 12360) defective.</li> </ol>
C17 <i>Lens cannot be locked, or has too much play.</i>	<ol style="list-style-type: none"> <li>1 Screw-threads damaged.</li> <li>2 Lens lock-release device (P.9 12653) defective.</li> </ol>
C18 <i>Film magazine does not lock securely, or has too much play.</i>	<ol style="list-style-type: none"> <li>1 Defective back frame (P.9 40102) in camera housing.</li> <li>2 Double hooked top clasp (P.6 12178) defective.</li> <li>3 Bottom hooks (P.1 12184) loosened from their rivets.</li> </ol>
C19 <i>Sports view-finder does not engage properly in bracket on camera body.</i>	<ol style="list-style-type: none"> <li>1 Bracket (P.1 20571) defective.</li> </ol>
C20 <i>Synchronization faults.</i>	<ol style="list-style-type: none"> <li>1 Synchronization wrongly set.</li> <li>2 No contact made.</li> <li>3 Short circuit.</li> </ol>

Fault	Possible Causes
C21 <i>Defects in appearance.</i>	<ol style="list-style-type: none"> <li>1 Camera body.</li> <li>2 Lens socket (P.1 30248)</li> <li>3 Winding-knob (P.2 20520)</li> <li>4 Bracket (P.1 20571).</li> <li>5 Covering.</li> <li>6 Creases on the curtains.</li> </ol>
C22 <i>General overhauling.</i>	<ol style="list-style-type: none"> <li>1 Adjustments, compare with C10-5.</li> <li>2 Rebuilding.</li> </ol>

## Repair Guide for the Film Magazine

Fault	Possible Causes
M1 <i>Scratches on the film.</i>	<ol style="list-style-type: none"> <li>1 Focal-plane rollers defective.</li> <li>2 Film passes over the focal plane with insufficient freedom.</li> </ol>
M2 <i>Light leakage.</i>	<ol style="list-style-type: none"> <li>1 Defective light-traps (P.12 12253, 12382, 12259, 12260) for magazine safety-slide (P.12 12519).</li> <li>2 Light leaks in D-shaped track between spool-holder cover and magazine.</li> <li>3 Light leaks between magazine body (P.12 20709) and front plate (P.12 12551).</li> <li>4 Pinhole defects in die-casted magazine body.</li> </ol>
M3 <i>Magazine loose or stuck.</i>	<ol style="list-style-type: none"> <li>1 Loose locking-pin located in the center of plate (P.12 30223).</li> <li>2 Defective locking-bar (P.11 12357).</li> </ol>
M4 <i>Magazine does not lock on the camera body.</i>	<ol style="list-style-type: none"> <li>1 Locking-bar (P.12 12251) does not function properly.</li> <li>2 Catch (P.12 12257) works stiffly and obstructs locking-bar (P.12 12251).</li> </ol>
M5 <i>Magazine has play after being locked to camera body.</i>	<ol style="list-style-type: none"> <li>1 Locking-bar (P.12 12251) fits in too deeply upon double-hooked top-clasp (P.6 12178).</li> <li>2 Play in slots fitting over bottom hooks (P.1 12184).</li> </ol>
M6 <i>Movement from winding-knob does not advance the film.</i>	<ol style="list-style-type: none"> <li>1 Gear-wheel (P.12 12216) does not spring back (compare C15-2).</li> <li>2 Spline-couplings (between P.11 12552 and P.12 12209) defective or not in alignment.</li> <li>3 Sheared pin in spline-coupling (P.11 12552).</li> </ol>
M7 <i>Wrong film spacing (has the customer checked that magazine has been started at numeral 1?).</i>	<ol style="list-style-type: none"> <li>1 Defective number-spacing arm (P.12 12230).</li> <li>2 Counter-dial (P.12 12220) loosened from its riveted hub.</li> <li>3 Defective catch (P.12 12224) for counter-dial (P.12 12220).</li> </ol>
M8 <i>Film cannot be wound on loading.</i>	<ol style="list-style-type: none"> <li>1 Broken coupling-spring (P.12 on 12206). ✓</li> <li>2 Film winds obliquely because film guide is missing.</li> <li>3 Spline-coupling defective, or spline-coupling casing (P.12 in 12209) slips.</li> <li>4 Pin in spline-coupling (P.11 12552) is sheared off (compare M6-3).</li> </ol>

*Continued*

<b>Fault</b>	<b>Possible Causes</b>
M9 <i>Red-white signal does not change.</i>	1 Signal (P.12 12235) works stiffly. 2 Spring (P.12 DF-57) not in place.
M10 <i>Counter-dial does not stop at numeral 1.</i>	1 Catch (P.12 12241) does not function. 2 Broken coupling-spring (P.12 VF-27) on center gear-wheel (P.12 12204). 3 Counter-dial (P.12 12220) loosened from its riveted hub (compare M7-2).
M11 <i>Defects in appearance.</i>	1 Magazine body. 2 Magazine front-plate (P.12 12551). 3 Covering.
M12 <i>General overhauling.</i>	1 Adjustments. 2 Rebuilding.

---

### Repair Guide for Lenses

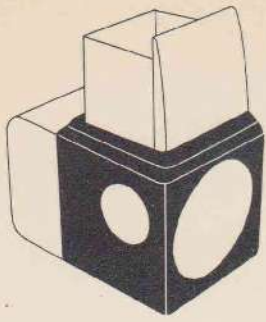
<b>Fault</b>	<b>Possible Causes</b>
L1 <i>Pre-selecting diaphragm-ring does not function.</i>	1 Ball catch does not function.
L2 <i>Focussing-ring works stiffly.</i>	1 Stiffness in screw-threads.
L3 <i>Lens does not fit into camera.</i>	1 Diameter (nominally 56.80 mm) is wrong. 2 Locating-screw on lens is too long.
L4 <i>Lens cannot be locked to the camera.</i>	1 Locating-screw has become loose. 2 Locating-screw wrongly located. 3 Locating-screw is too short.

---

### Repair Guide for the Hood

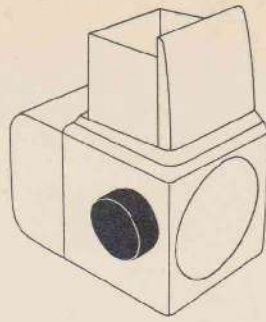
<b>Fault</b>	<b>Possible Causes</b>
H1 <i>Outside hood cover does not rise.</i>	1 Frame (P.10 20669) twisted. 2 Hood assembly not fully home in its tracks. 3 Jointed (P.10 12538) arms of wrong length.
H2 <i>Cover opens too easily.</i>	1 Button-catch (P.10 20613) does not grip sufficiently. 2 Spring (P.10 12428) is defective.
H3 <i>Magnifying lens does not rise.</i>	1 Magnifying lens is loose. 2 Spring (P.10 VF-57) is defective.
H4 <i>Magnifying lens rises when hood is opened.</i>	1 Defect in button-catch.
H5 <i>Magnifying lens rises too high.</i>	1 Wire strut (P.10 12546) too long or loose.
H6 <i>Defects in appearance.</i>	1 Outside hood cover (P.10 12548). 2 Side and back panels. 3 Covering (P.10 12148, 12149).

---



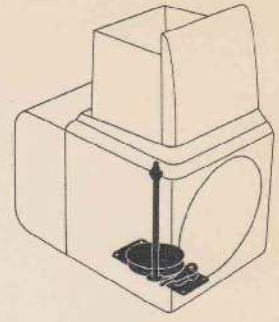
Camera case

1



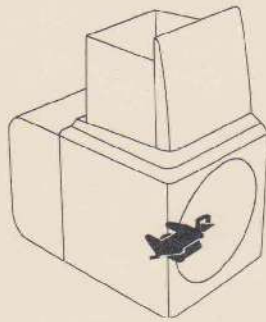
winding knob Mech.

2



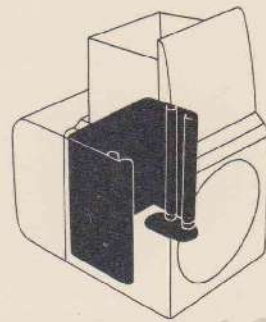
Shutter Mech.

3



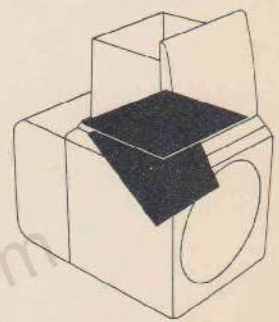
Delay-action Mech.

4



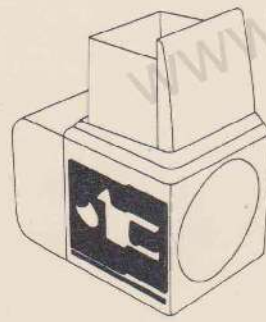
Curtains

5



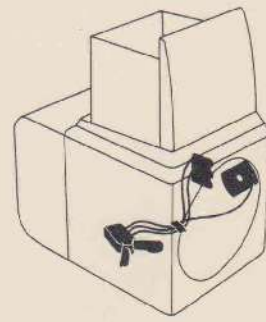
Mirror, Ground Glass

6



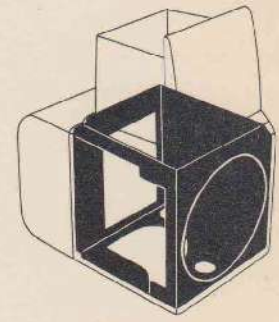
Side Plate

7



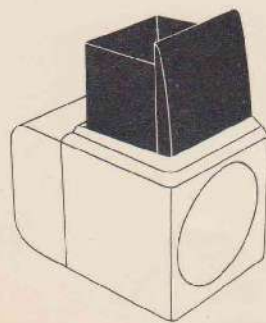
Sync. unit

8



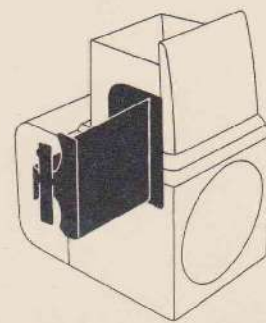
Camera Housing

9



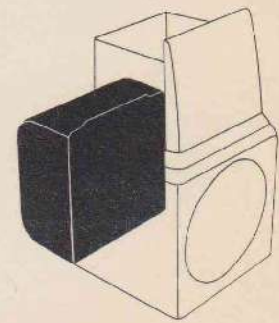
Hood

10



Mag. Roll-holder

11



Magazine

12



12184	(2)	}	
12191			
12365	(2)	}	20701
12751			
Nit-2.5x3.5	(2)	}	20564
Ry-1.9	(2)		
		}	20565
		}	20566
		}	30216 - 18.45
		}	30248
		}	20542 (2)
		}	20571
		}	12176
		}	12177
		}	12341
		}	FS-2x7 (4)
		}	FS-2.3x5 (3)
		}	FS-2.3x6 (3)
		}	SCS-3x3.4 (2)

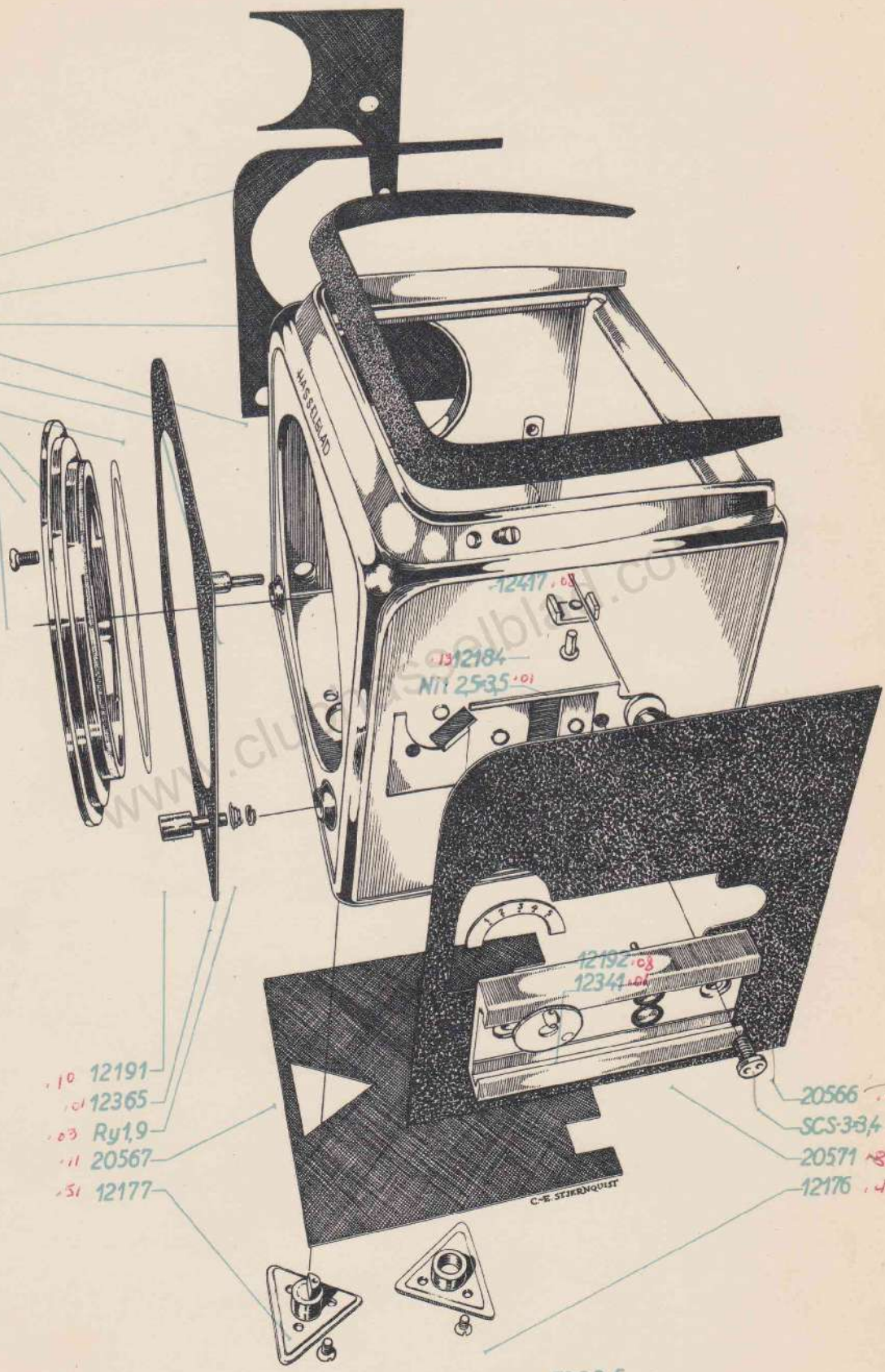
www.clubhasselblad.com



HASSELBLAD

SWEDEN

- .06 20564
- .11 20565
- .06 20569
- 11.90 20701
- .01 12751
- .11 20568
- 1.06 20542
- 2.69 30248
- .01 FS 27



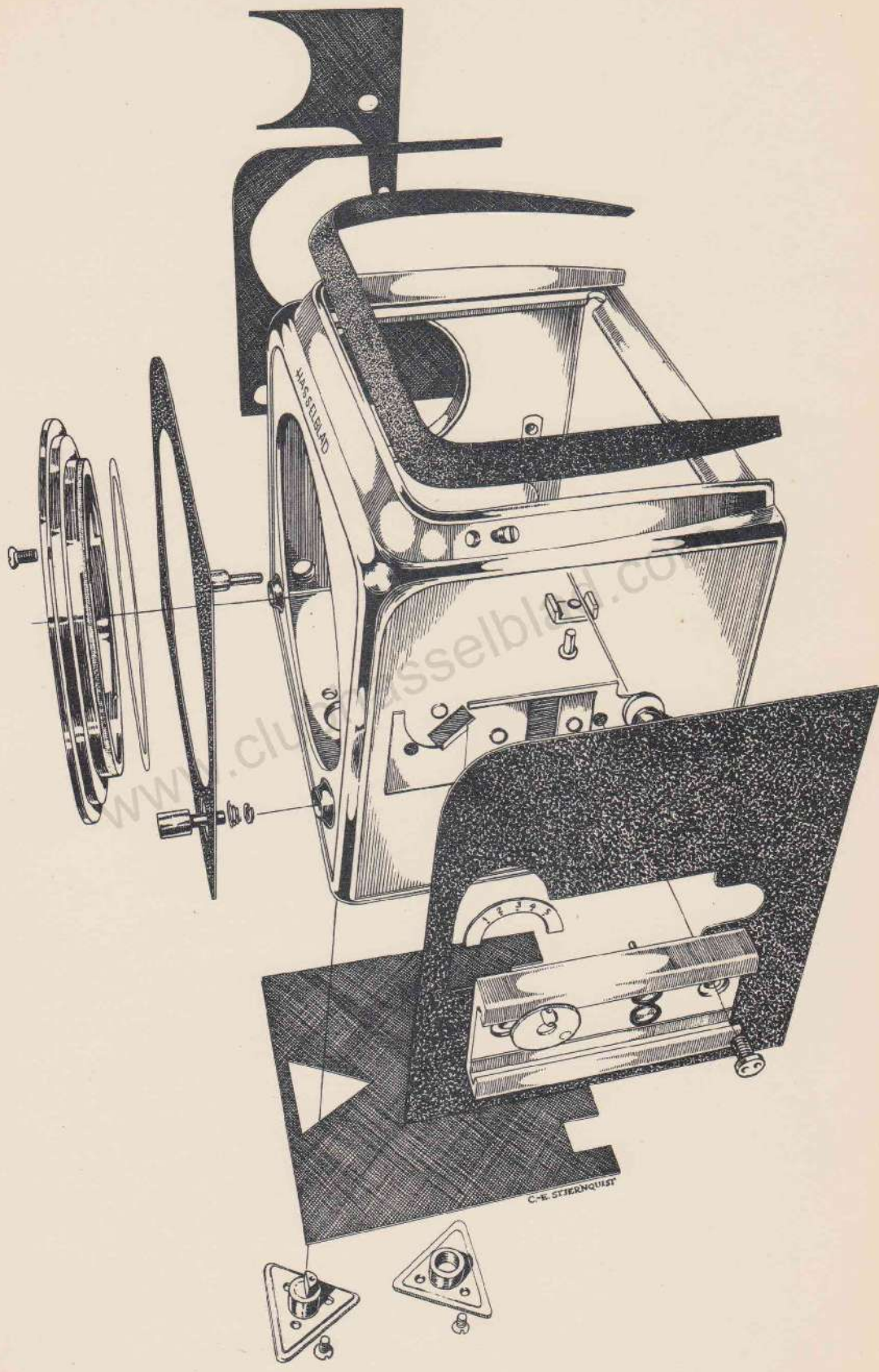
- .10 12191
- .01 12365
- .03 Ry1,9
- .11 20567
- .51 12177

- 20566 .11
- SCS-384 .06
- 20571 .80
- 12176 .45



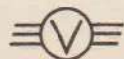
**HASSELBLAD**

SWEDEN



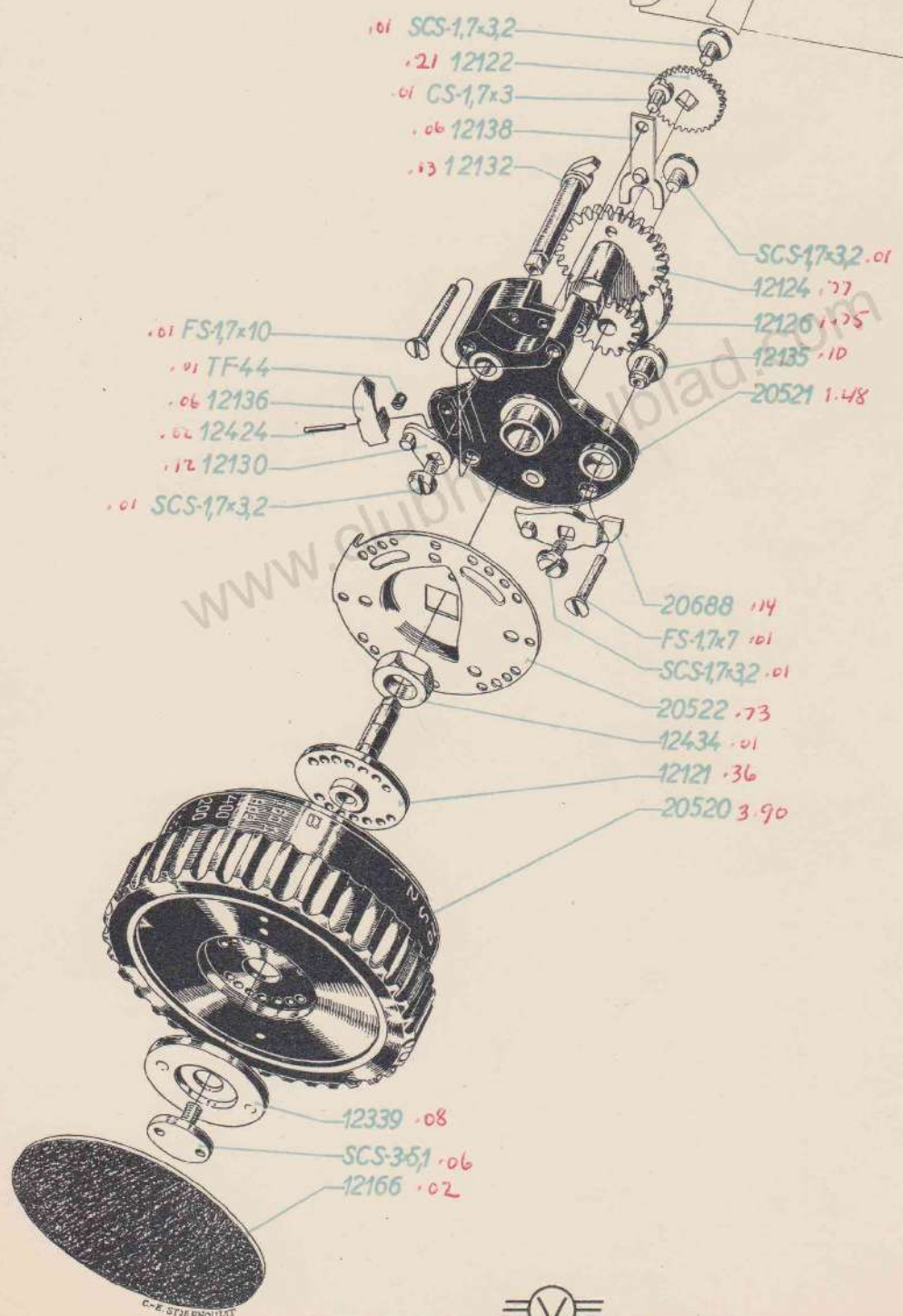
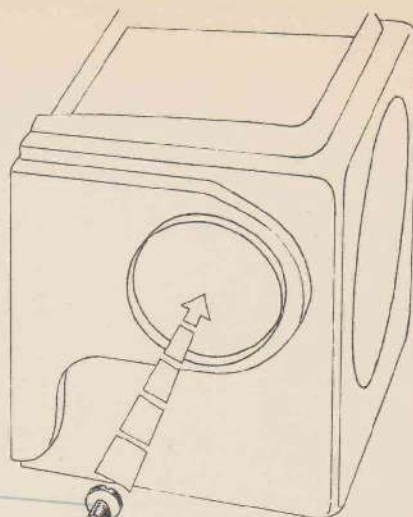
	20522		
	20688		
	12121		
	12122		
	12124		
	12126		
	12130		
	12132		
	12135		40106 - 4.89
	12138		20520 -
20521	12425	-2.04	12166 -
12136	12434		12339 -
12424	CS-1.7x3		SCS-3x5.1 -
TF-44	FS-1.7x7		
	FS-1.7x10	(3)	
	SCS-1.7x3.2	(4)	

www.clubhasselblad.com



HASSELBLAD

SWEDEN

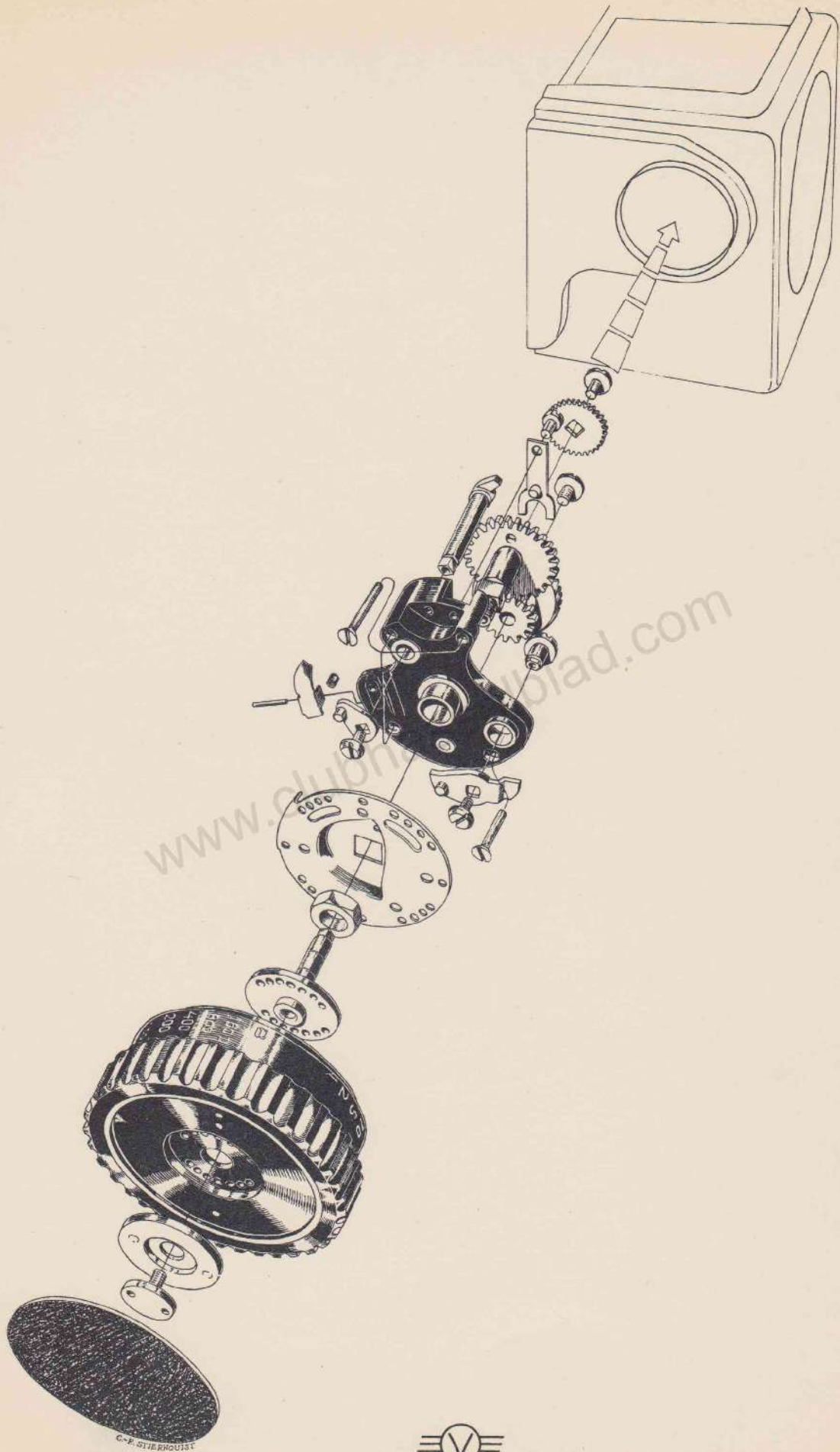


www.hasselblad.se



HASSELBLAD

SWEDEN



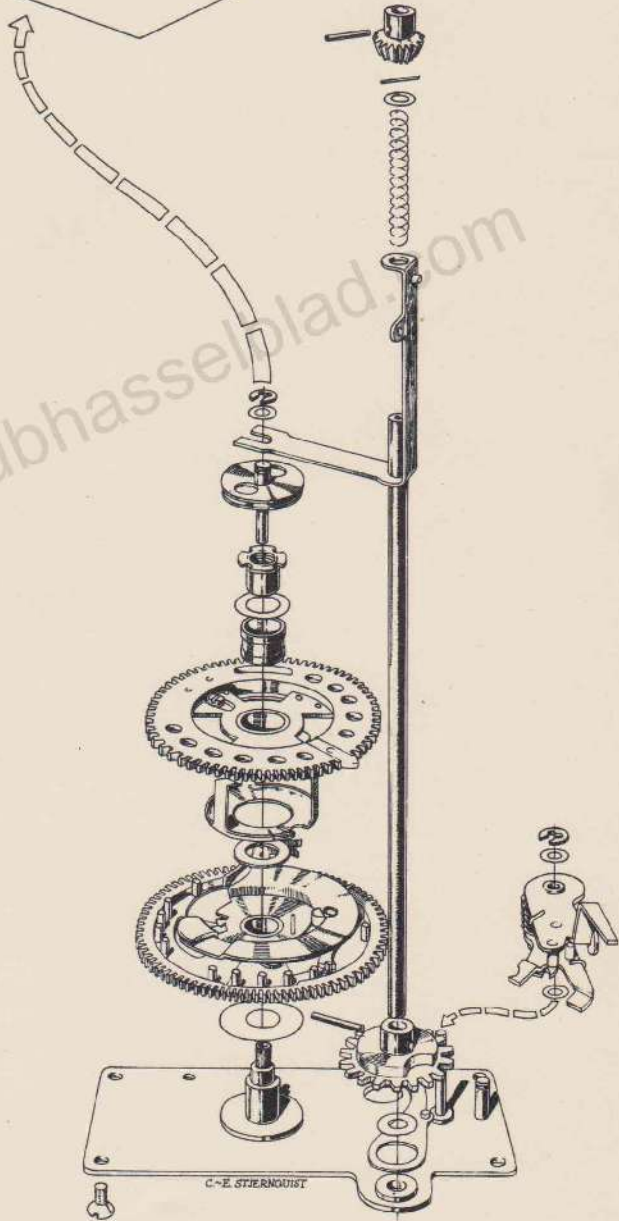
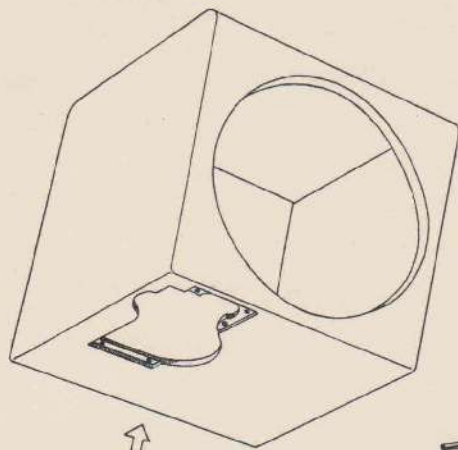
12046	}	20500	}	
12048		20502		
12049		20508 - 1.68		
12050		20526		
D-2.55×4.5×0.3		20539		
S-0.8×4		12044		
S-1×4.5 (2)		12045		
TF-53		12051		
		12615×A		30231 - 19.95
		12640		FS-1.7×2.5 (5)
	D-2.25×4×0.2 (2)			
	D-2.55×4.5×0.05			
	D-3.55×6.5×A			
	D-4.05×6.5×0.2			
	D-4.6×10×0.05			
	Ry-1.5 (2)			

www.clubhasselblad.com



HASSELBLAD

SWEDEN



www.clubhasselblad.com



HASSELBLAD

SWEDEN



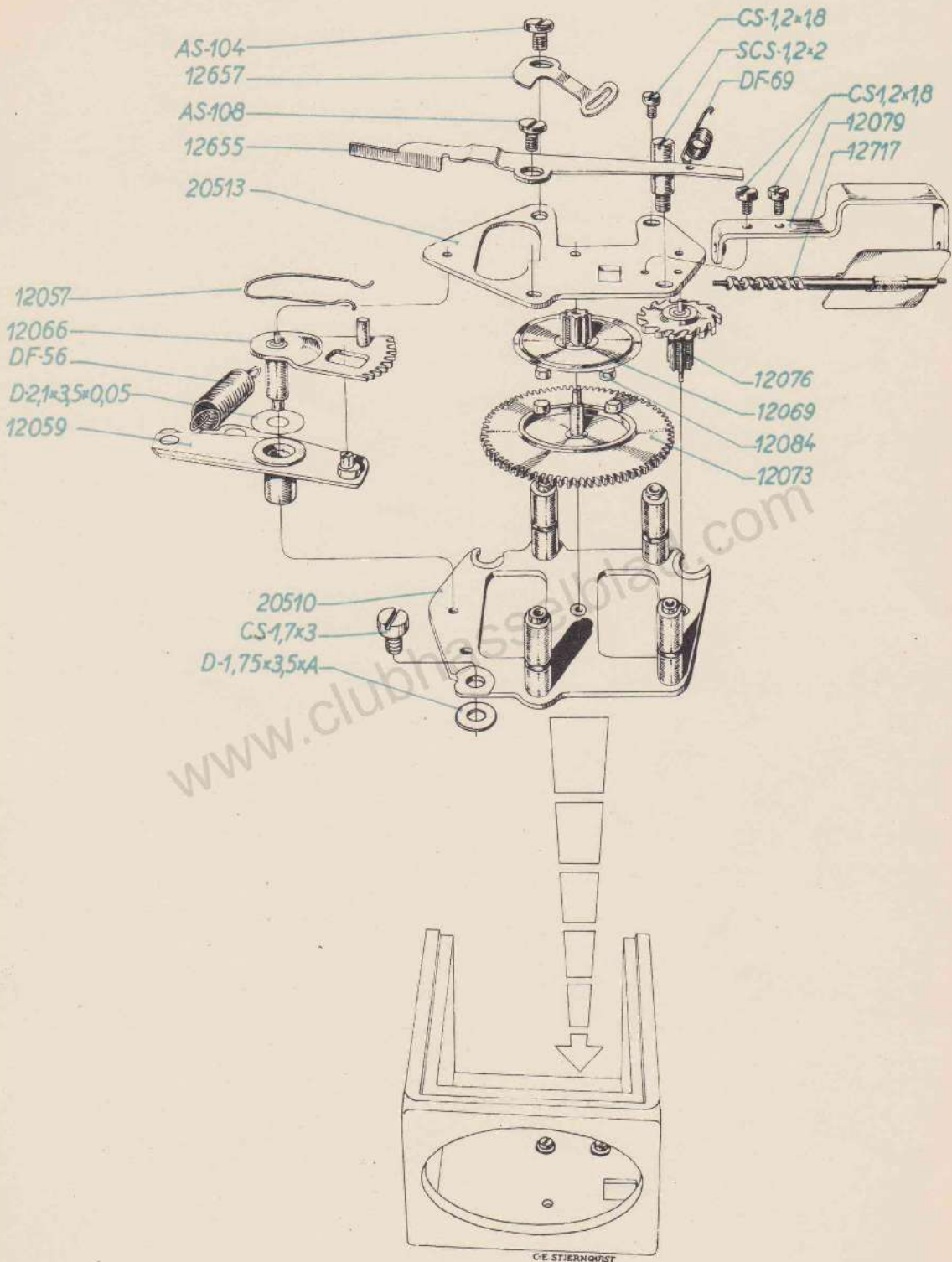
20510		
20513		
12057		
12059		
12066		
12069		
12073		
12076		
12079		
12084	(4)	20509 4.61
12655		CS-1.7×3
12657		D-1.75×3.5×A
12717		
AS-104		
AS-108		
CS-1.2×1.8	(3)	
D-2.1×3.5×0.05		
DF-56		
DF-69		
SCS-1.2×2		

[www.clubhasselblad.com](http://www.clubhasselblad.com)



HASSELBLAD

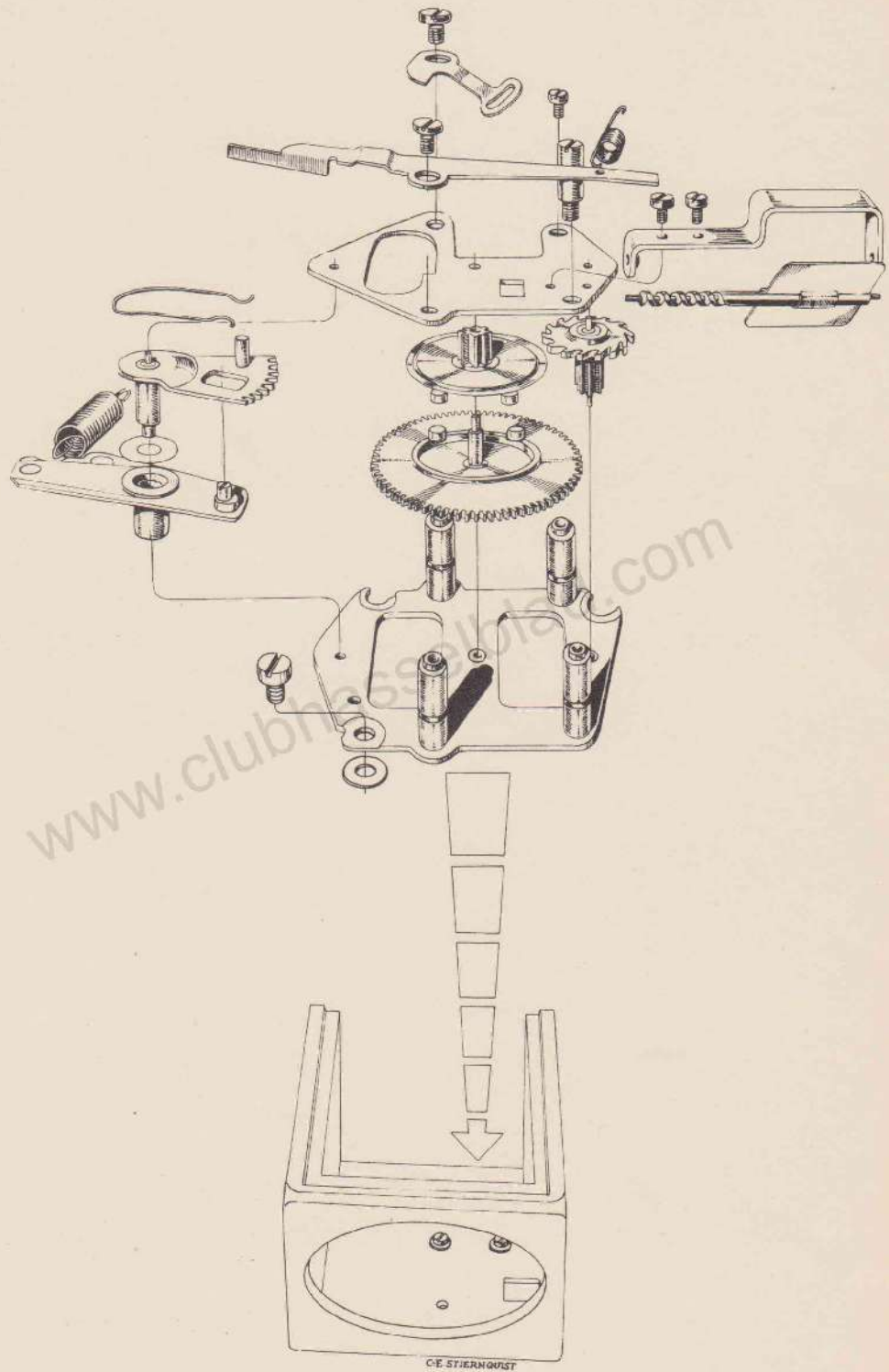
SWEDEN



www.clubhasselblad.com



**HASSELBLAD**  
SWEDEN



www.clubhasselblad.com

C.E. STERNQVIST



HASSELBLAD

SWEDEN

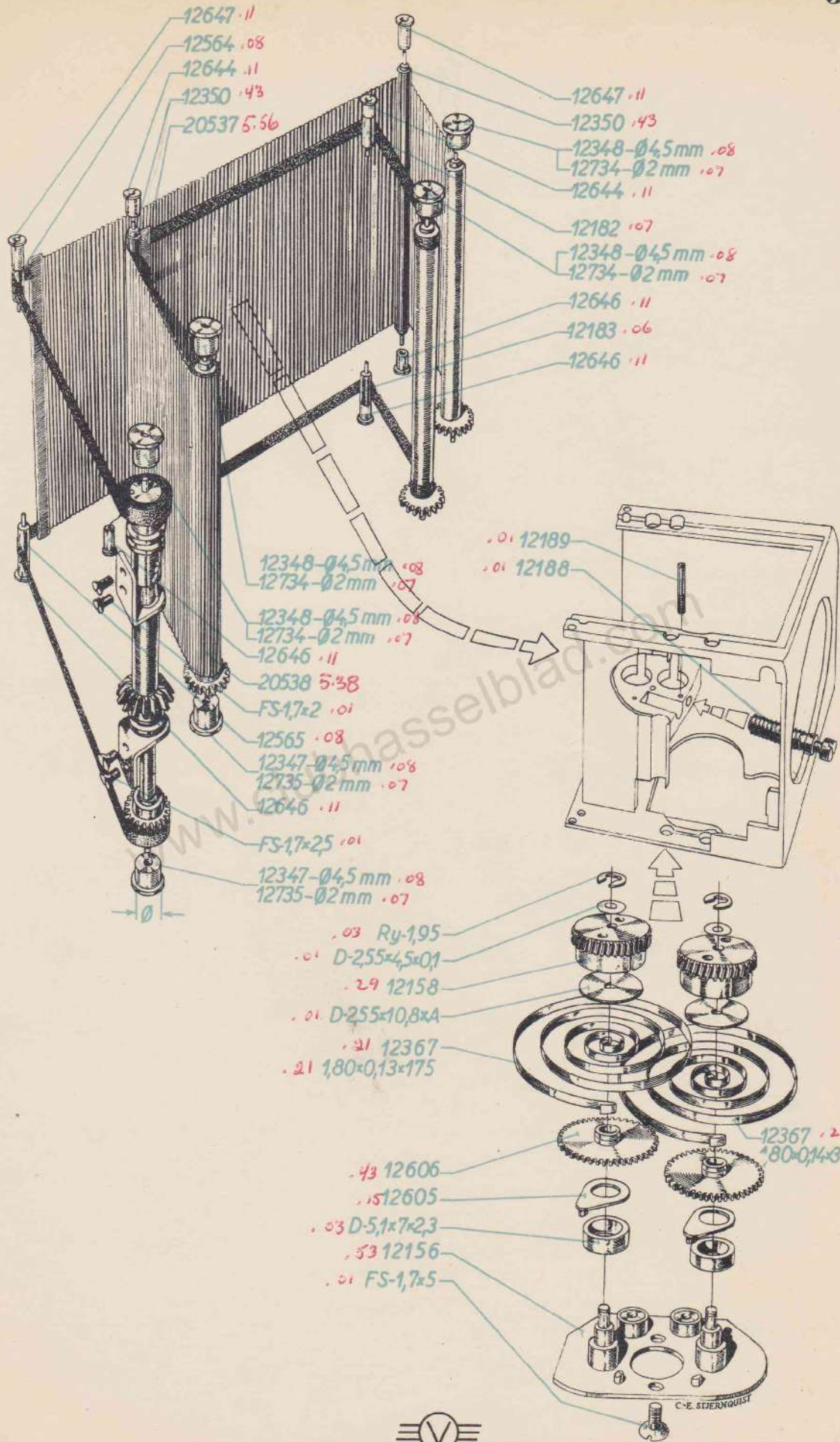
12156			
12158	(2)		
(12367			
1.8×0.13×175)		20537	
(12367		20538	
1.8×0.14×300)		12155 - 4.58	
12605	(2)	12182	
12606	(2)	12183	
D-2.55×4.5×0.1	(2)	12188	(2)
D-2.55×10.8×A	(2)	12189	(2)
D-5.1×7×2.3	(2)	12347 ø 4.5 mm	(2)
Ry-1.95	(2)	12348 ø 4.5 mm	(4)
		12350	(2)
		12564	
		12565	
		12644	(2)
		12646	(4)
		12647	(2)
		12734 ø 2 mm	(4)
		12735 ø 2 mm	(2)
		FS-1.7×2	(2)
		FS-1.7×2.5	(2)
		FS-1.7×5	(2)

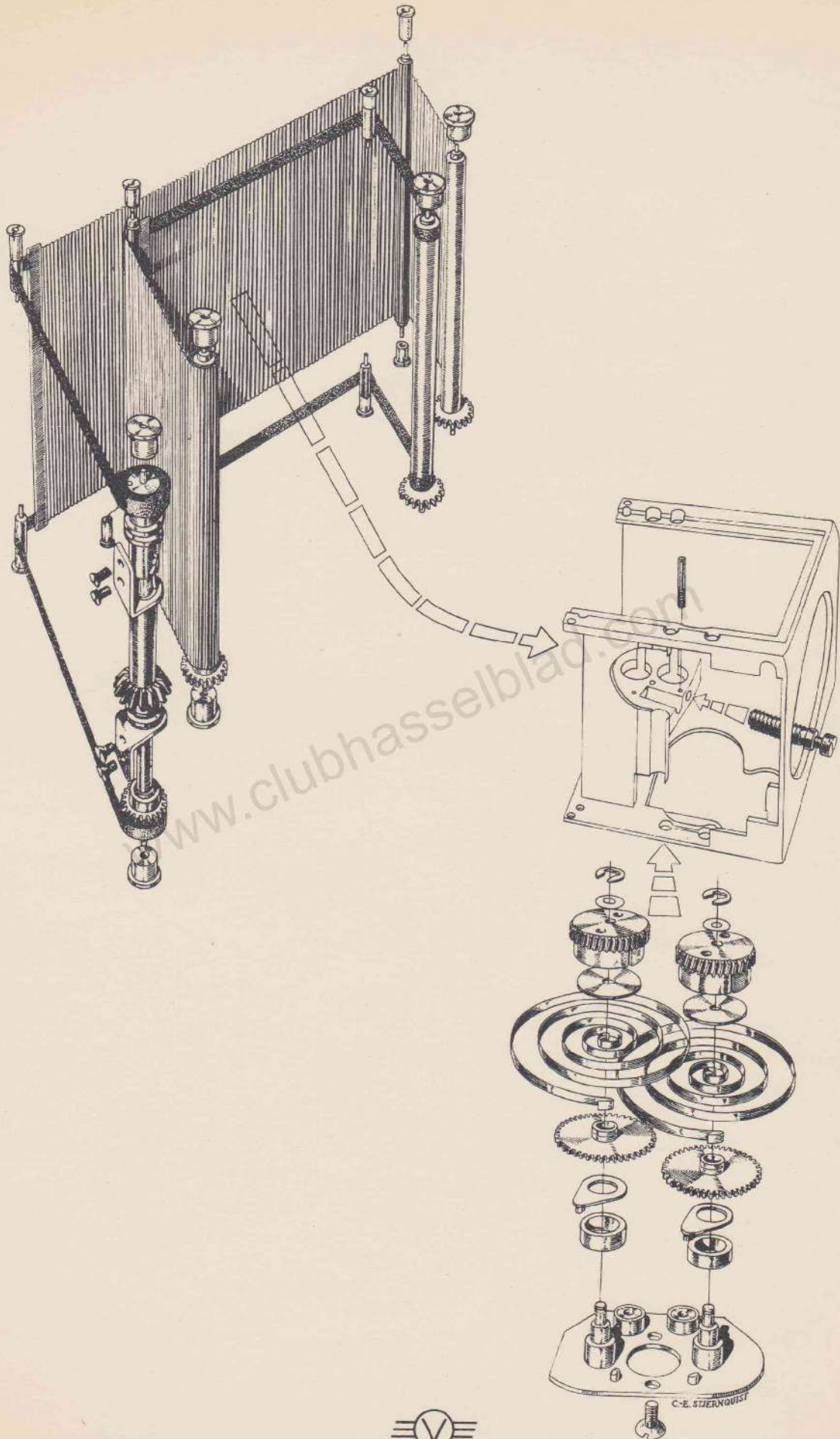
www.clubhasselblad.com



HASSELBLAD

SWEDEN





20530	}	
12150		
12598		
12599		20529 1.58
B6M-1.7		20545
VF-16		20548
VF-42		

20572	}	
20651		
12187		
12630		20653 2.65
12652		
12761		
Ry-1		

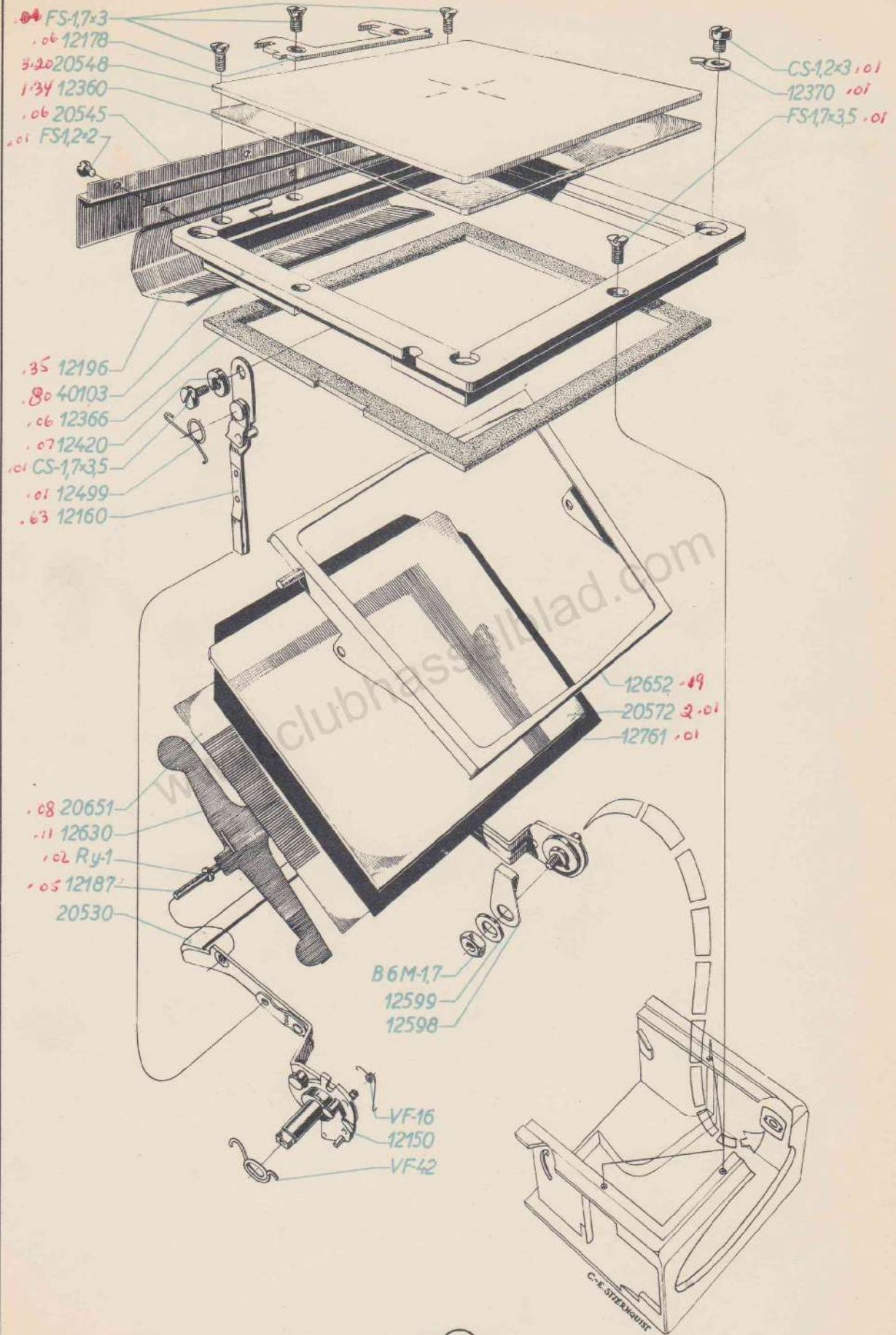
40103	}	20703 1.86
12366		12160
		12178
		12196
		12360
		12370 (4)
		12420
		12499
		CS-1.2×3 (4)
		CS-1.7×3.5 (4)
		FS-1.2×2 (3)
		FS-1.7×3 (4)
		FS-1.7×3.5 (3)

www.clubhasselblad.com

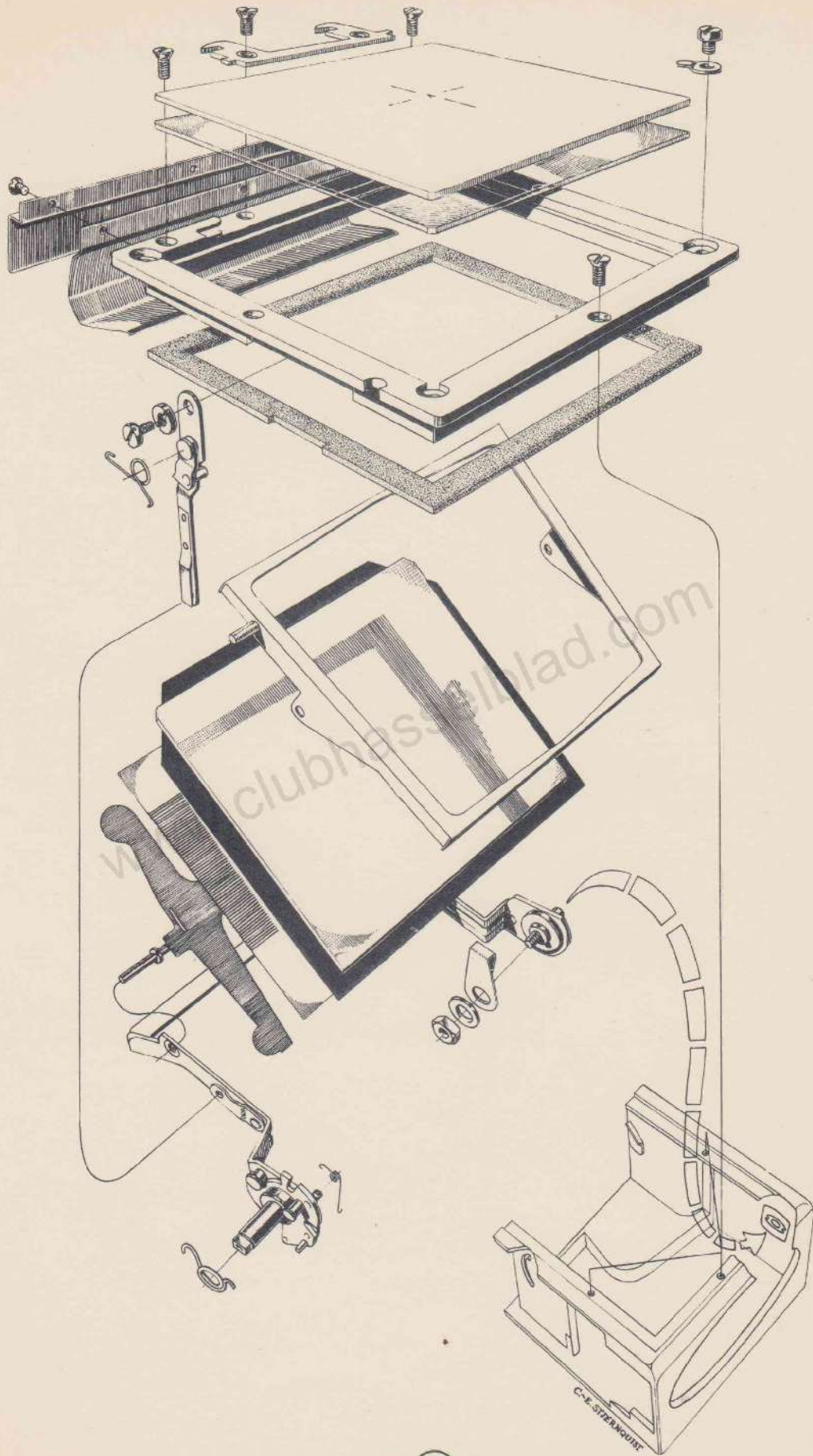


HASSELBLAD

SWEDEN







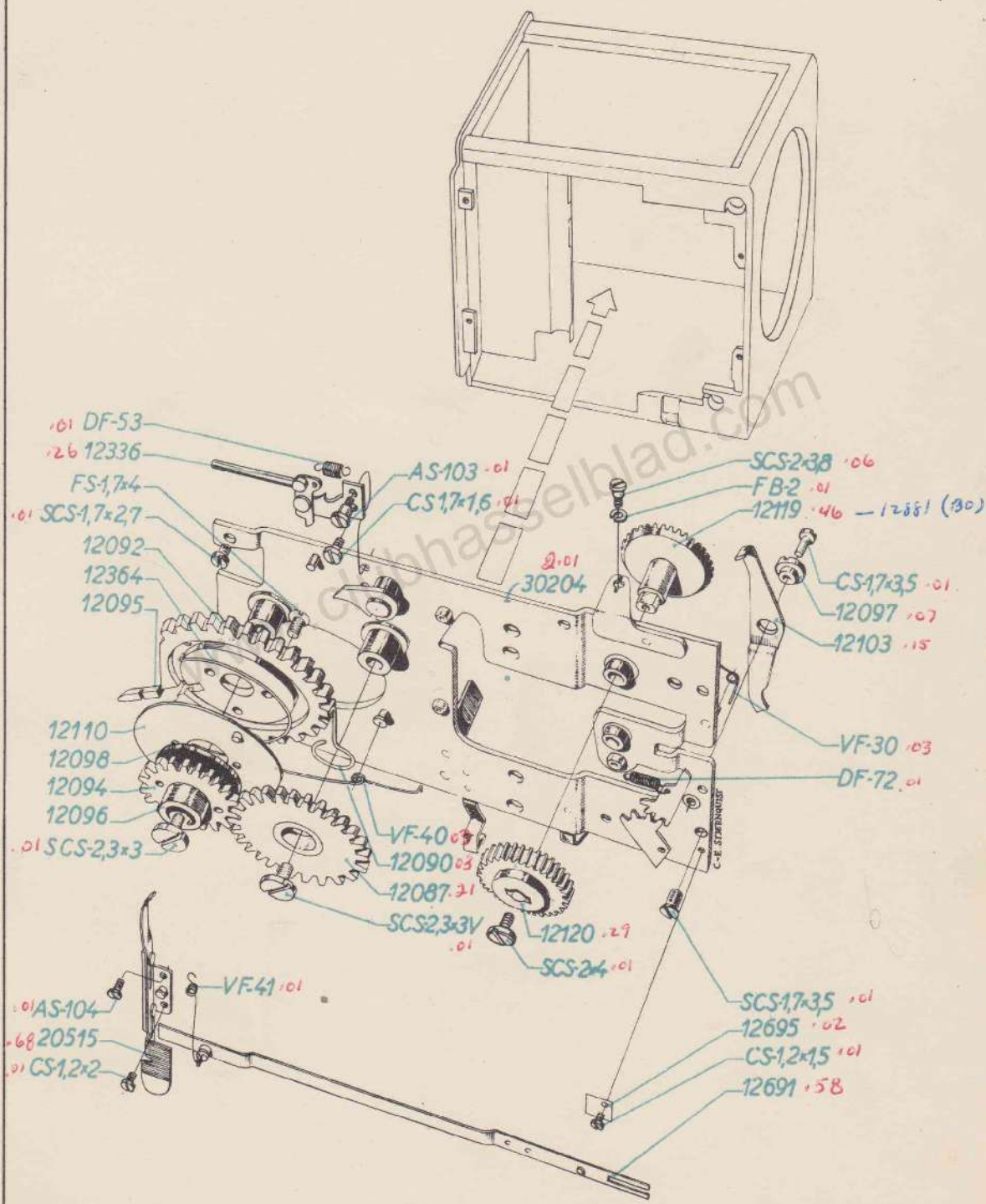
12092	30204	
12094	12087	
12095	12090	
12096	12091 <i>1.65</i>	
12098	12097	
12110	12103	
12364	12119	
FS-1.7x4 (2)	12120	
	12336	
AS-103	AS-104	30203 <i>5.66</i>
CS-1.7x2	CS-1.2x1.5	20515
CS-1.7x3.5	FB-2	12691
DF-53	CS-1.7x1.6	12695
DF-72	SCS-1.7x2.7 (2)	AS-104
SCS-2x4	SCS-1.7x3.5 (2)	CS-1.2x1.5
SCS-2.3x3	SCS-2x3.8	FB-2
SCS-2.3x3v	VF-41	CS-1.7x1.6
VF-30		SCS-1.7x2.7 (2)
VF-40		SCS-1.7x3.5 (2)
		SCS-2x3.8
		VF-41

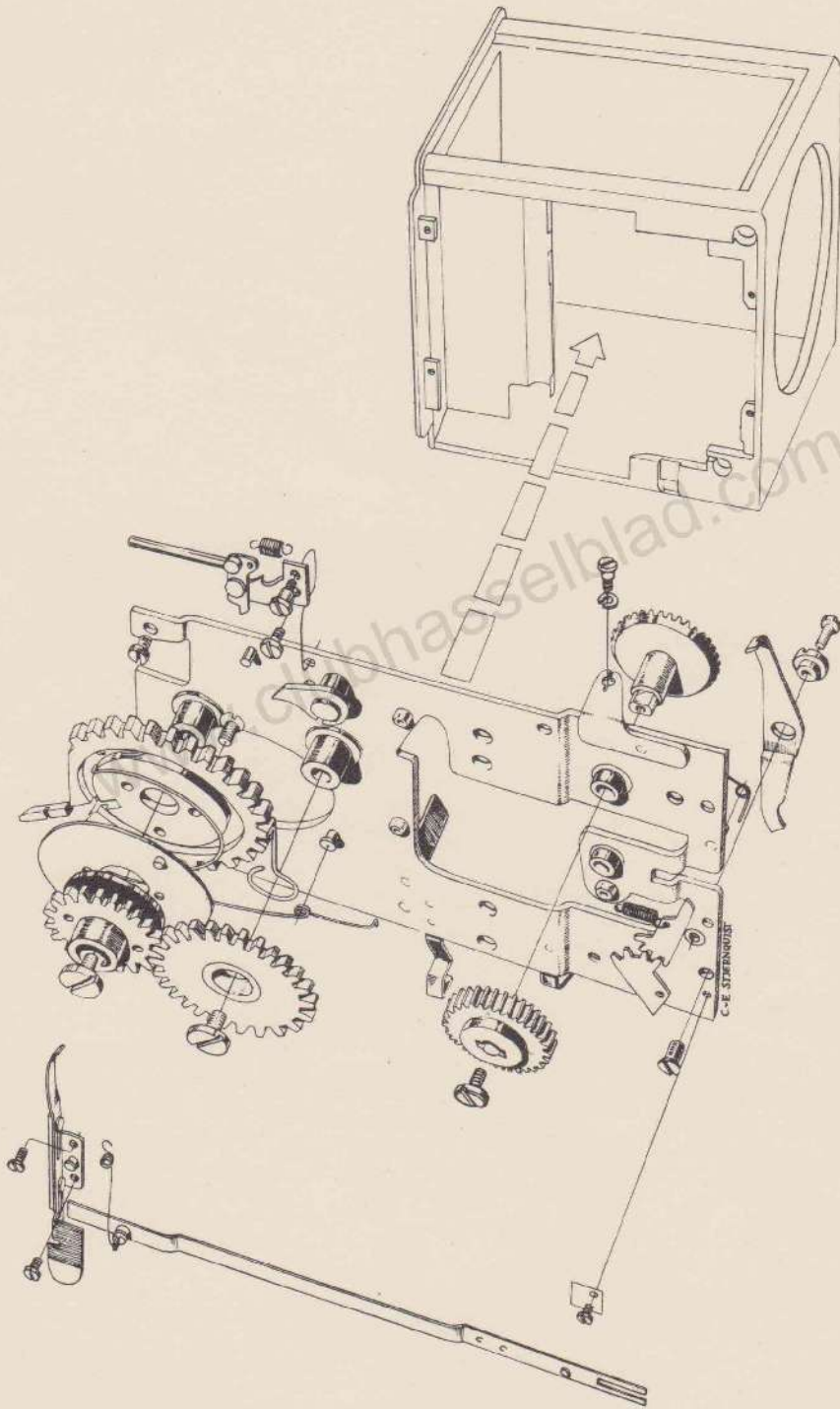
www.clubhasselblad.com



HASSELBLAD

SWEDEN





30243  
20517  
20534  
12331  
12353 (2)

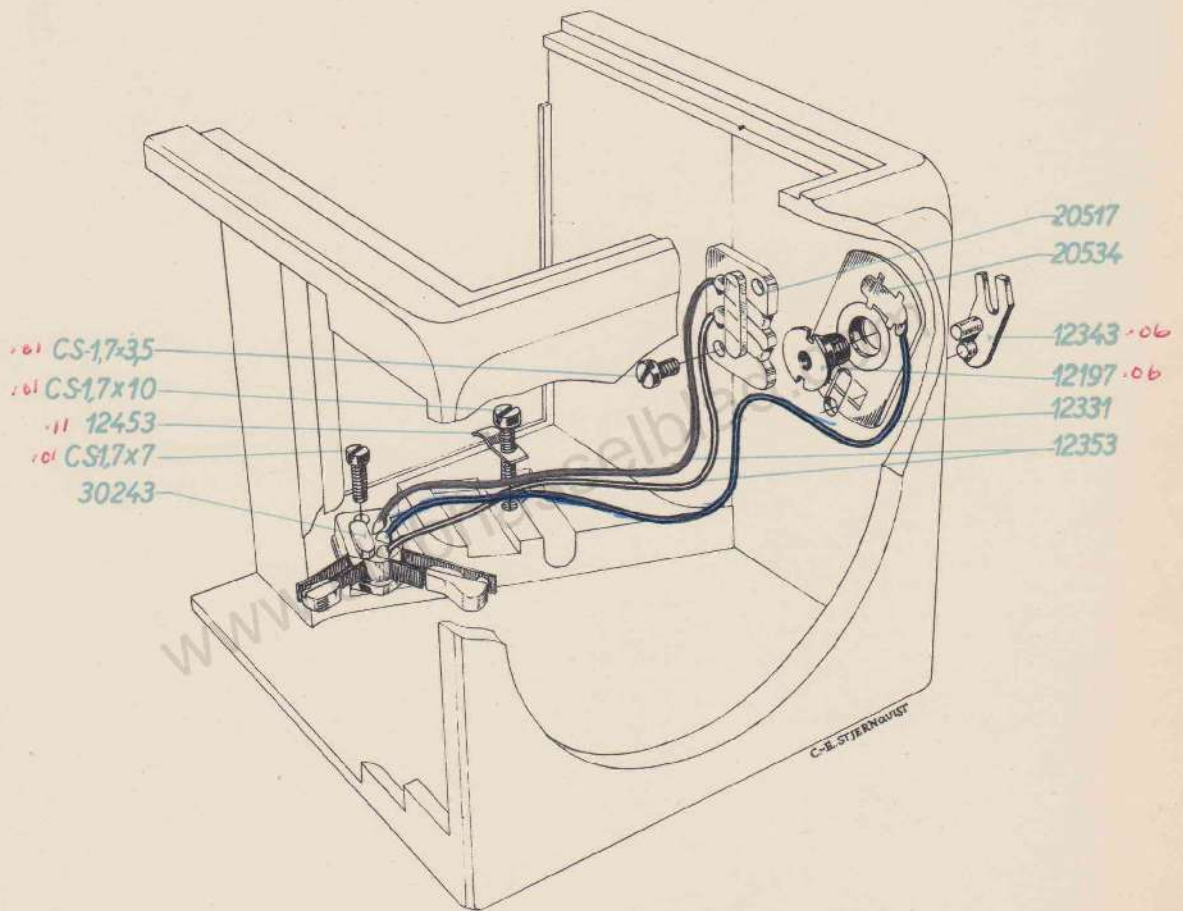
} 20540 1.34  
12197  
12343  
12453  
CS-1.7×3.5 (2)  
CS-1.7×7  
CS-1.7×10

[www.clubhasselblad.com](http://www.clubhasselblad.com)



HASSELBLAD

SWEDEN





- 40101
- 20518
- 12686
- CS-1.2×2 (2)
- CS-1.7×5
- CS-1.7×10
- FS-1.7×3.5 (8)
- 40102
- 40121 *10.18*
- 40124
- 30251
- 30252
- 12162
- 12167
- 12645
- 12653
- AT-280 (2)
- CS-1.7×3.5 (2)
- D-2.28×4×0.4
- FS-1.7×2.5
- KFS-1.7×4
- Ry-1.9
- TF-39
- VF-45

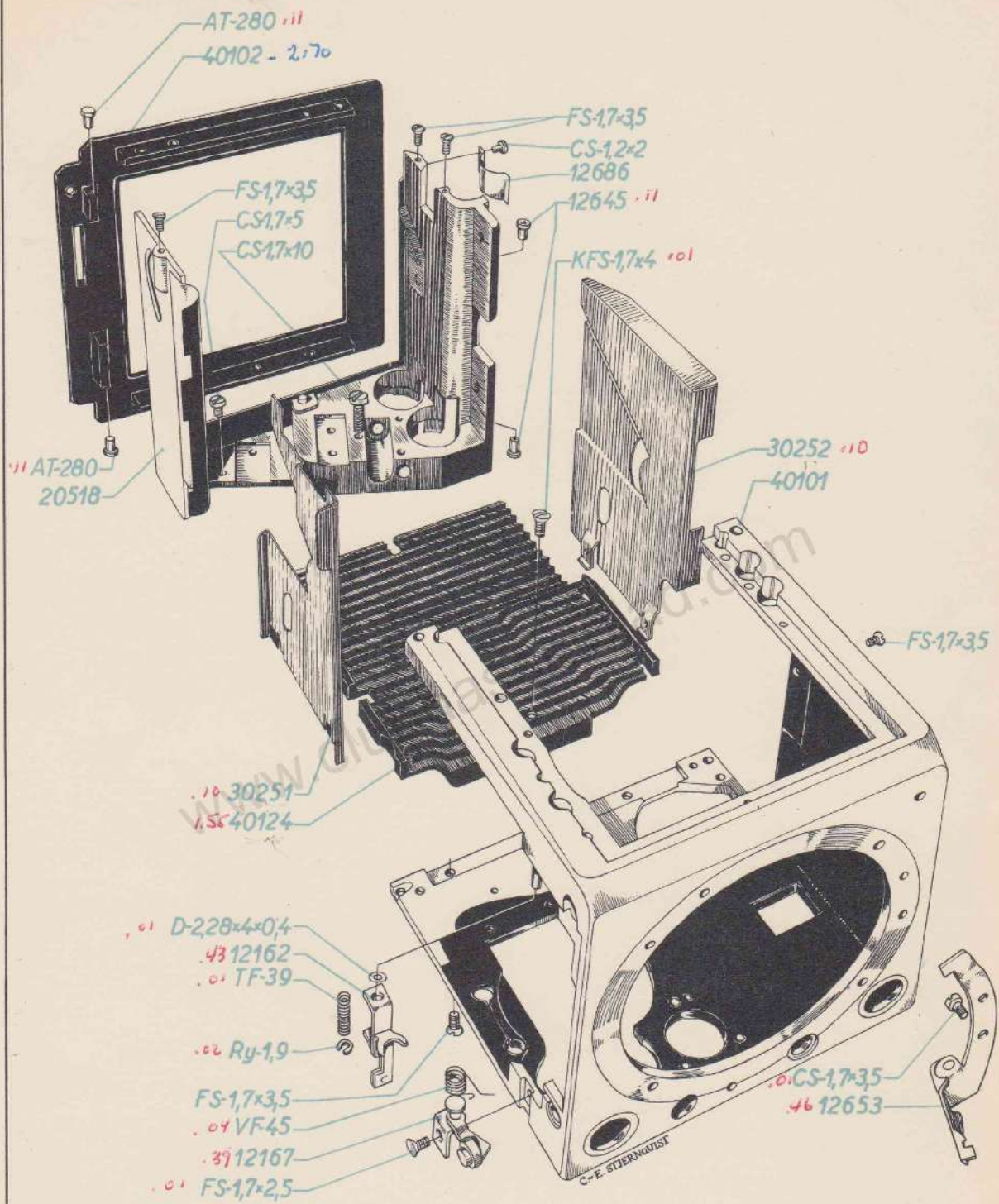
[www.clubhasselblad.com](http://www.clubhasselblad.com)

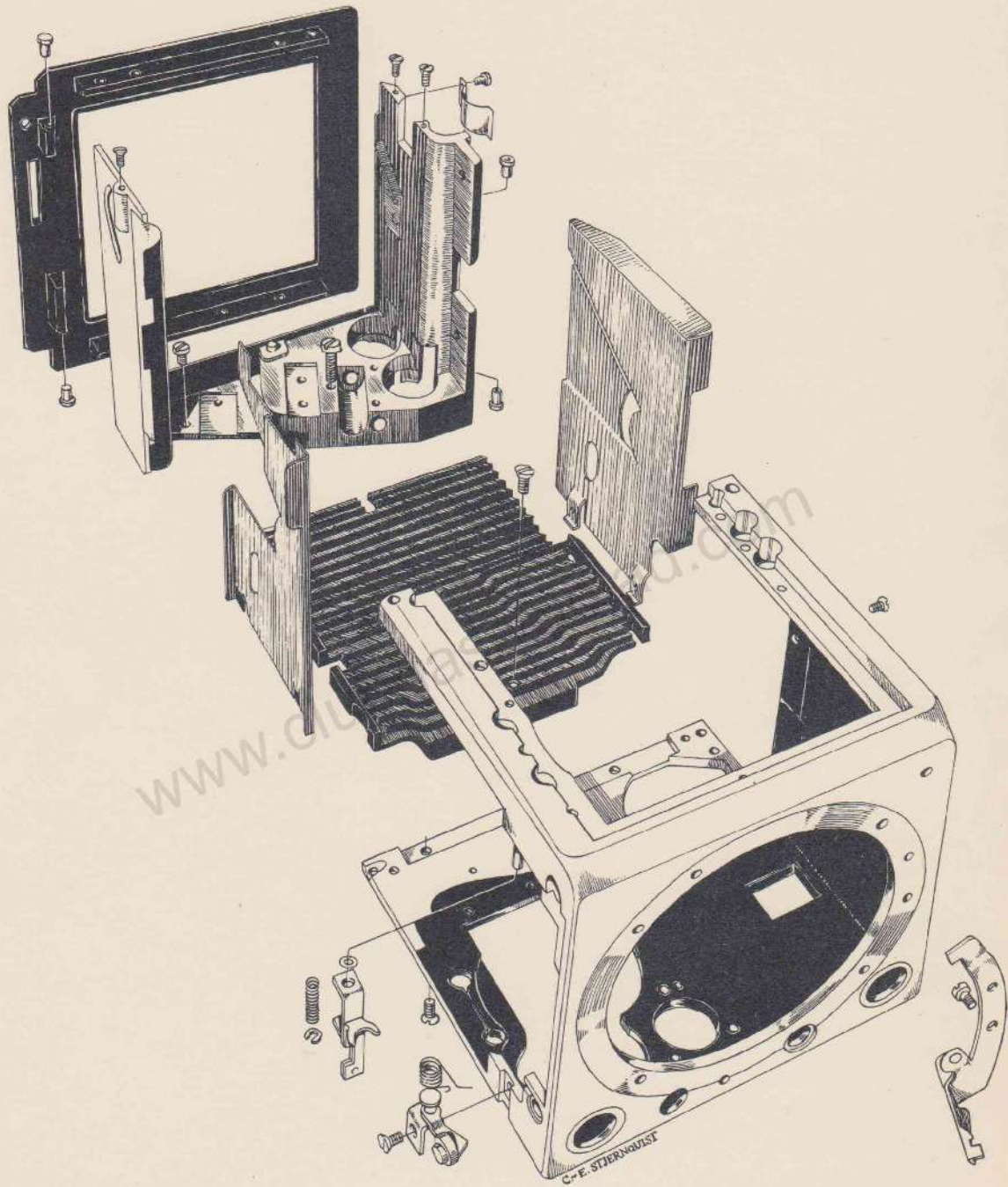


HASSELBLAD

SWEDEN







	20669		
	12537	(2)	} 30210 4.23
20613	12538	(2)	
12426	AT-247	(4)	
12428	} 20582 2.76		
12432			
12548			
AT-248			

12527	} 20523 .55		} 20575 4.99	
12532				
12547				
VF-57				
		12148		
		12149		
	12546			
	FS-1.7x2.5	(2)		

40108 15.39

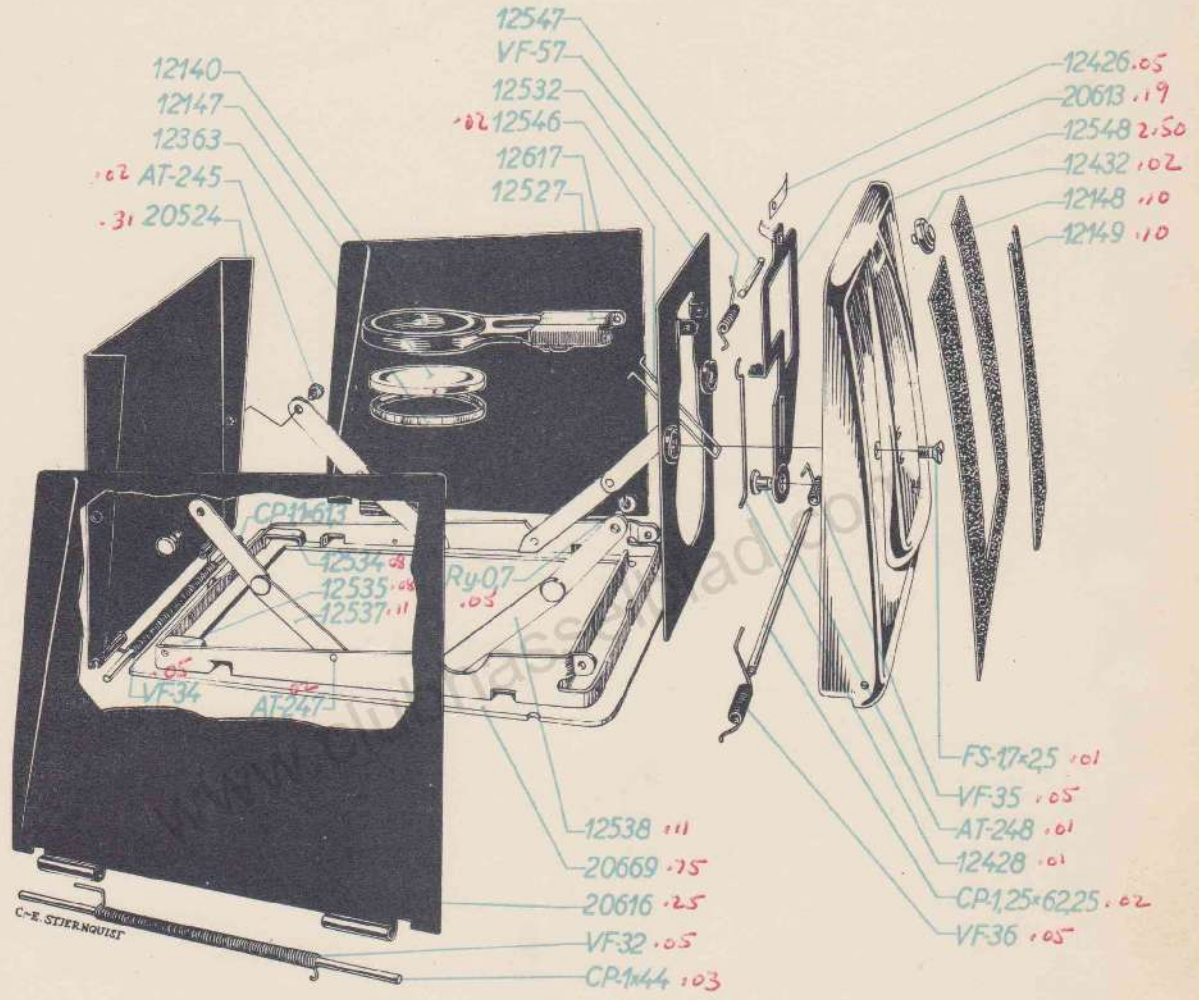
	20524	
	20616	
	20617	
12140	12139	1.44
12147	12534	
12363	12535	
	AT-245	(2)
	CP-1x44	(2)
	CP-1.1x61.3	
	CP-1.25x62.25	
	Ry-0.7	(2)
	VF-32	(2)
	VF-34	
	VF-35	
	VF-36	

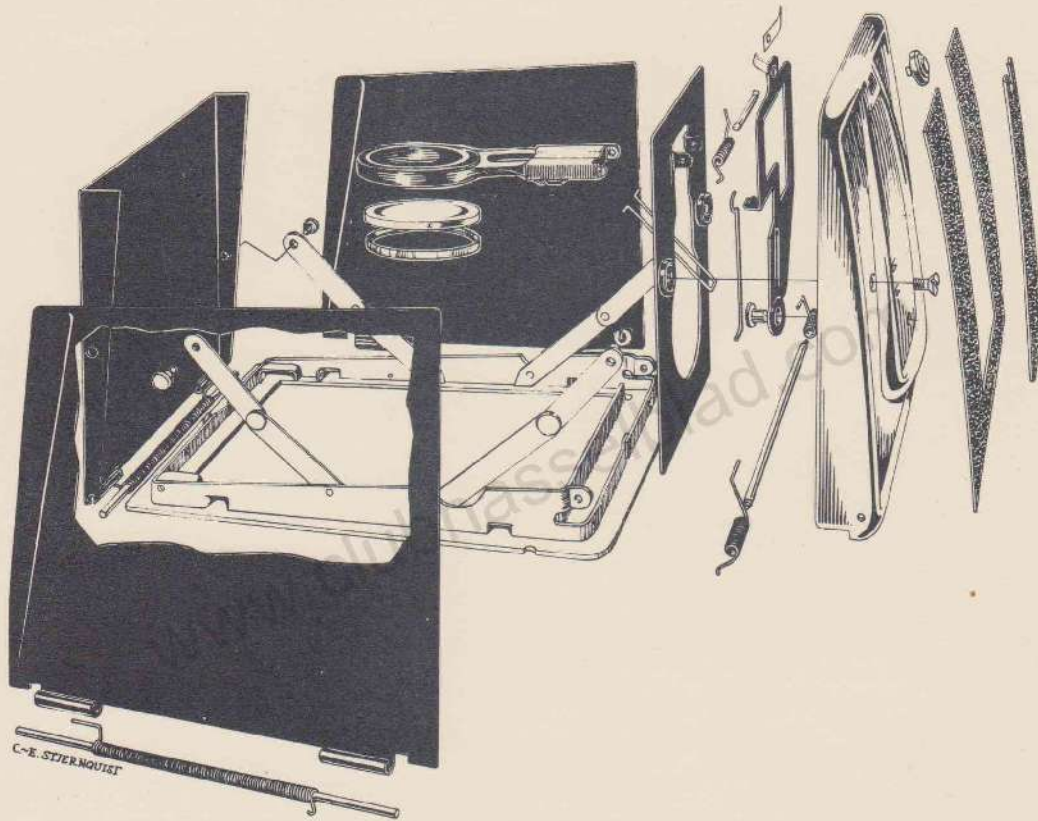
www.clubhasselblad.com



HASSELBLAD

SWEDEN





C-E. STERNQUIST



HASSELBLAD

SWEDEN

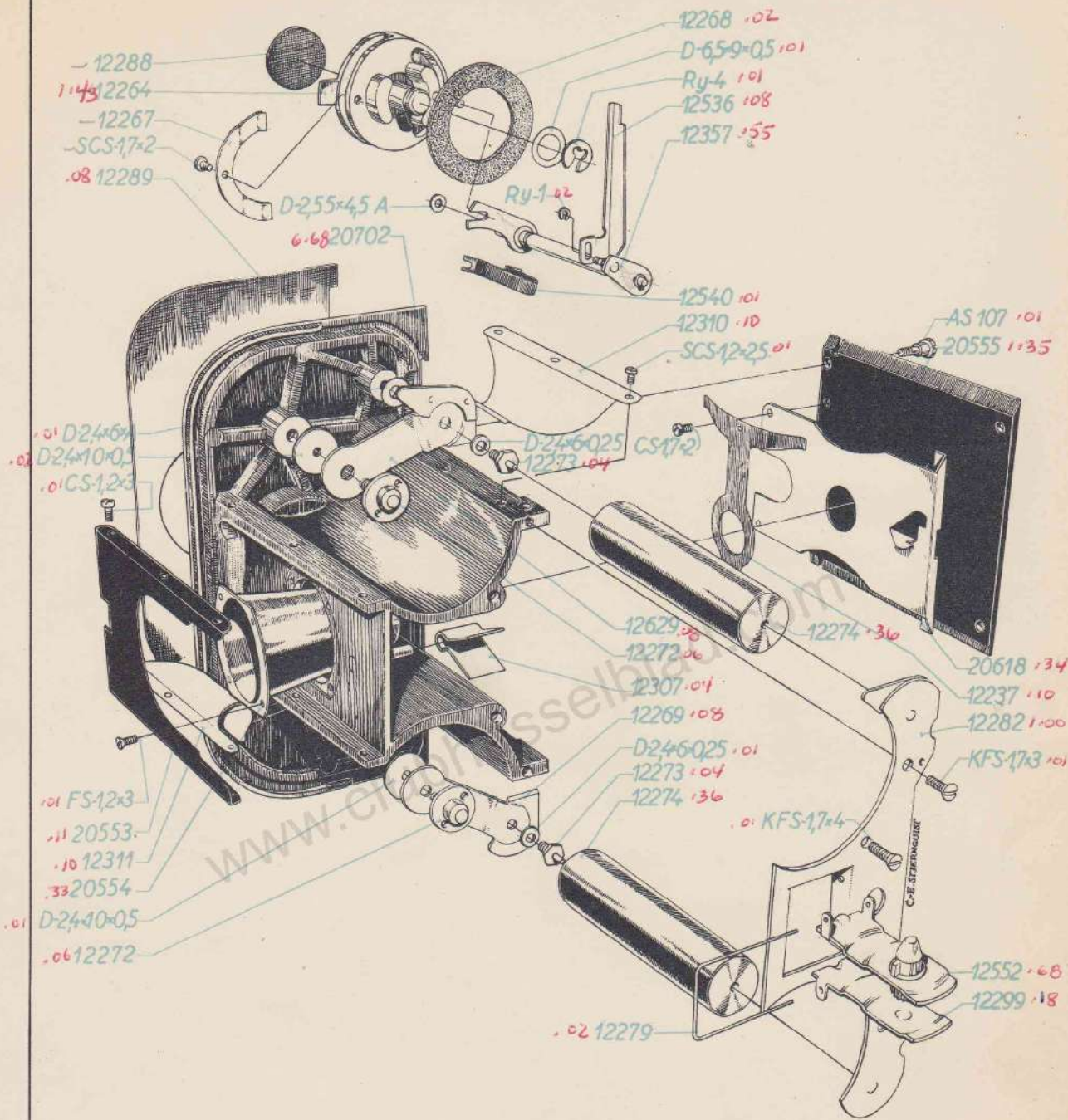
	20553		
	20554		
12237	}	20702	6.68
12289			
12267	}	12264	1.43
12288		12268	
SCS-1.7×2		12269	
		12272	
		12273	
		12274	
		12307	
		12310	
		12311	
		12357	
		12536	
20555	}	12540	
20618		12543	1.79
CS-1.7×2 (2)			40109
12279	}	12579	2.21
12282		12629	
12299		AS-107	(4)
12552		CS-1.2×3	(6)
		D-2.4×6×A	
		D-2.4×6×0.25	(2)
		D-2.4×10×0.5	(2)
		D-2.55×4.5×A	
		D-6.5×9×0.5	
		FS-1.2×3	(4)
		KFS-1.7×3	
		KFS-1.7×4	(3)
		Ry-1	
		Ry-4	
		SCS-1.2×2.5	(3)

www.clubhasselblad.com

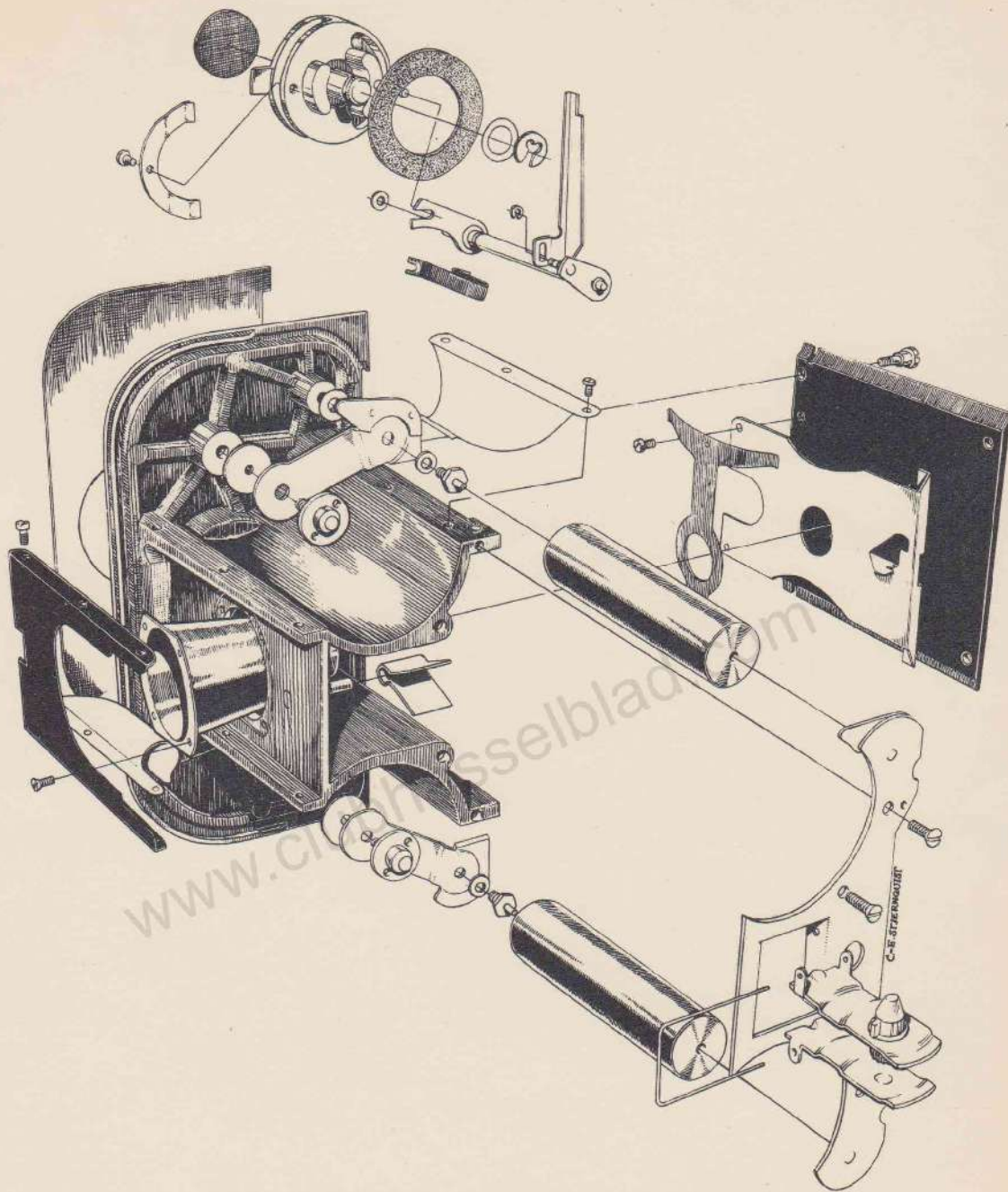


HASSELBLAD

SWEDEN



HASSELBLAD

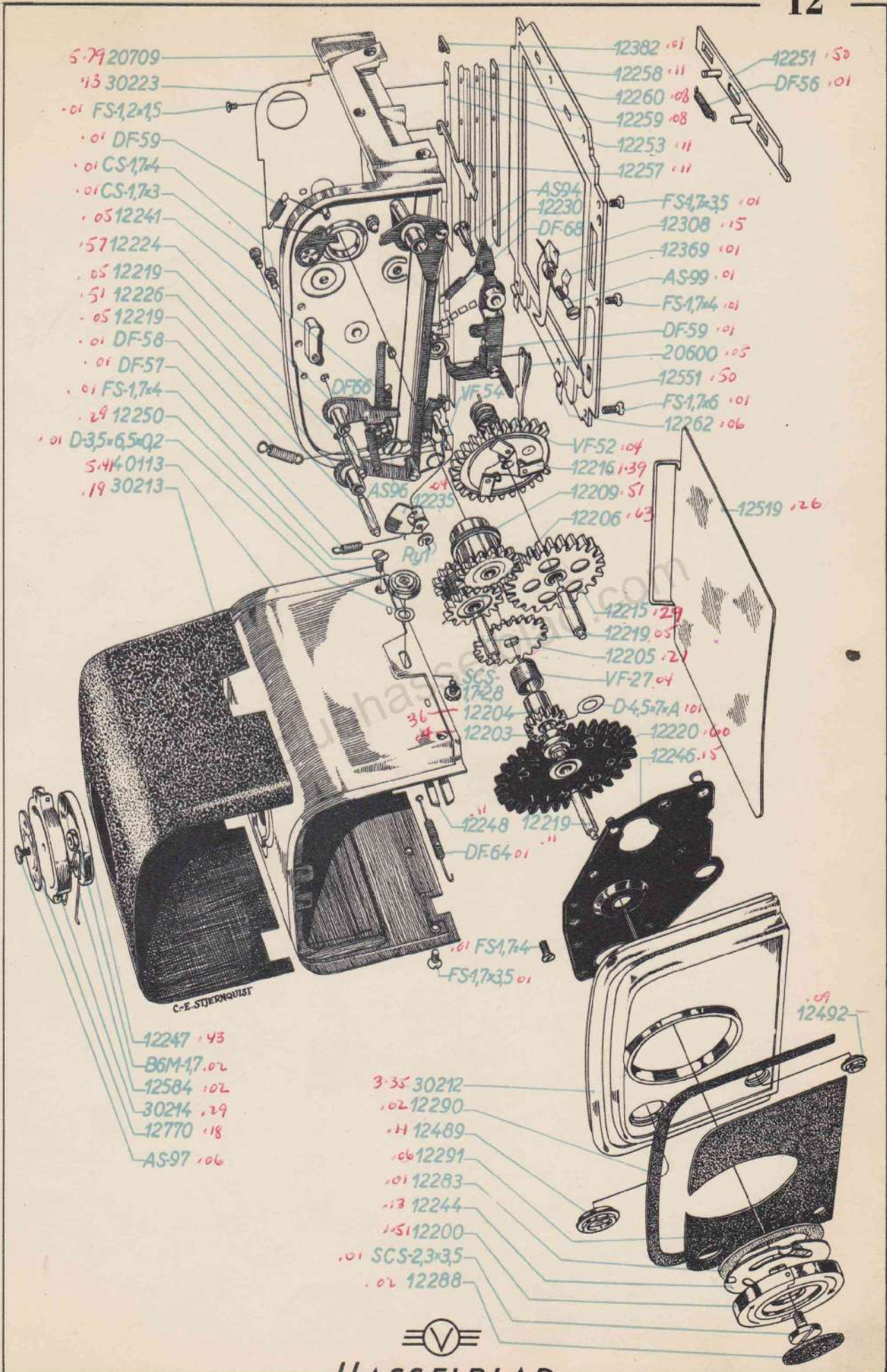




30214	}	30213	}	40113	5.41	}
12770		20619		75	30223	
AS-97	}	12247	}	20600		}
B6M-1.7		12248		D-3.5×6.5×0.2	20709	
		12250	}	12200		}
		12584		12206		
		SCS-1.7×2.8	}	12209		}
		12203		12214	1.66	
		12204	}	12219	(4)	}
		12205		12220		
		D-4.5×7×A	}	12224		}
		VF-27		12226		
		DF-59	}	12230	1.65	}
		DF-68		12235		
				12241		
				12244		
				12246		
				12251		
				12253		
				12257		
				12258		
				12259		
30212	}	12260	}	12260		}
12290		12262		(2)	12262	
12291	}	12280	}	12280	4.23	}
12489		12283		40114		
12492		12288		12288		
		12308		12308		
		12369		12369		
		12382	(4)	12382		
12215	}	12519	}	12519		}
12216		12542		1.79		
12219		12551		12551		
		AS-94		AS-94		
		AS-96		AS-96		
		AS-99		AS-99		
		CS-1.7×3	(2)	CS-1.7×3	(2)	
		CS-1.7×4		CS-1.7×4		
		DF-56		DF-56		
		DF-57		DF-57		
		DF-58		DF-58		
		DF-59		DF-59		
		DF-64		DF-64		
		DF-66		DF-66		
		FS-1.2×1.5	(4)	FS-1.2×1.5	(4)	
		FS-1.7×3.5	(4)	FS-1.7×3.5	(4)	
		FS-1.7×4	(11)	FS-1.7×4	(11)	
		FS-1.7×6		FS-1.7×6		
		Ry-1		Ry-1		
		SCS-2.3×3.5		SCS-2.3×3.5		
		VF-52		VF-52		

www.hasselblad.com

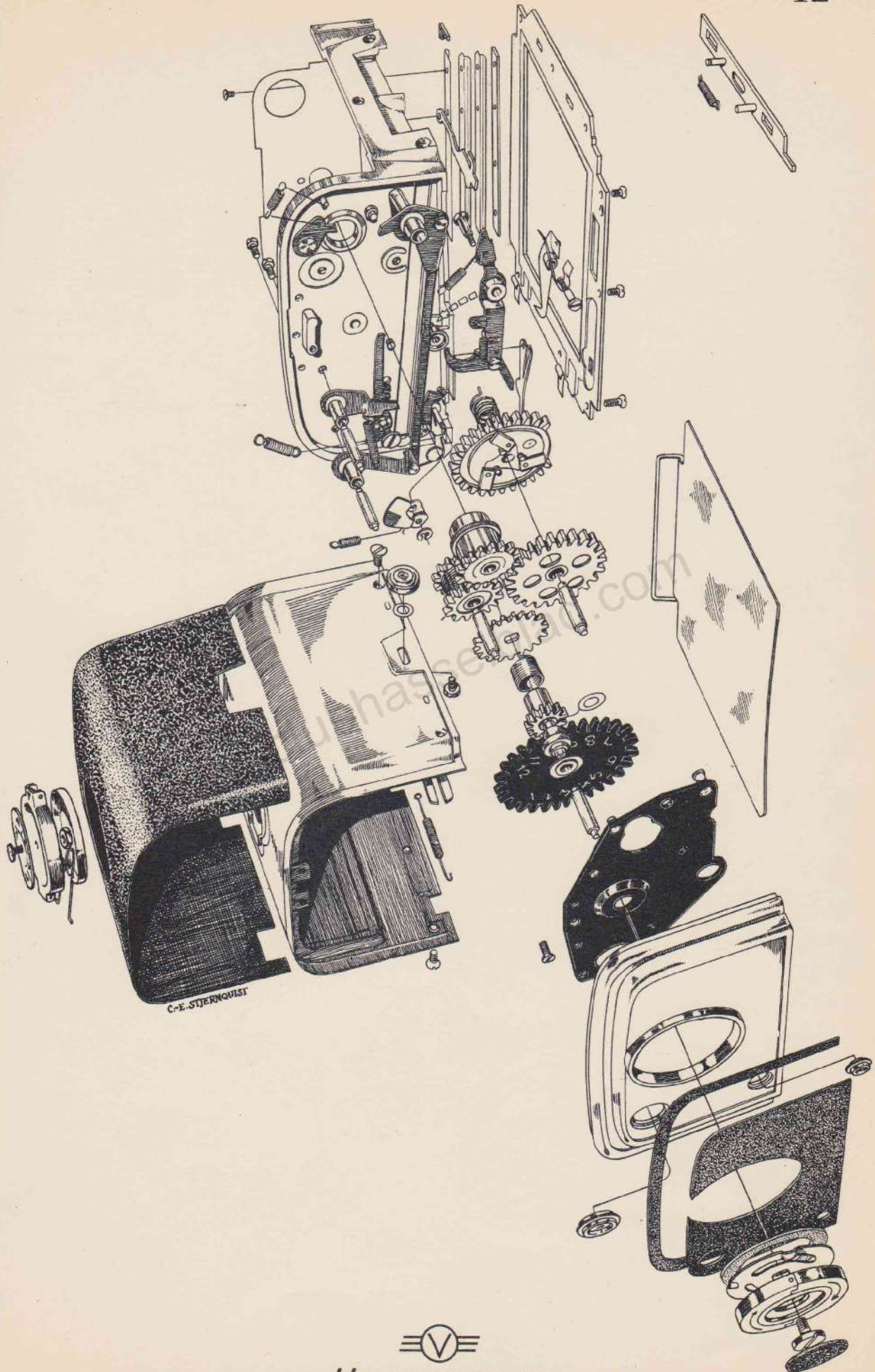




Printed in Sweden

  
**HASSELBLAD**  
 SWEDEN

1953-IV



C.-E. STJERNQVIST



HASSELBLAD

SWEDEN

Messrs. / Firma / Ets. / Casa

order from / bestellen von / commande à / pedido de

**Victor Hasselblad AB, S:t Eriks torg 3, Göteborg**  
**Sweden / Schweden / Suède / Suecia**

Quantity Anzahl Quantité Cantidad	Part No. Teil Nr. No. de la partie Nº de la parte	Remarks Anmerkungen Notes Notas
<p>www.clubhasselblad.com</p>		

Exchanged 7/31/53

[www.clubhasselblad.com](http://www.clubhasselblad.com)

HASSELBLAD

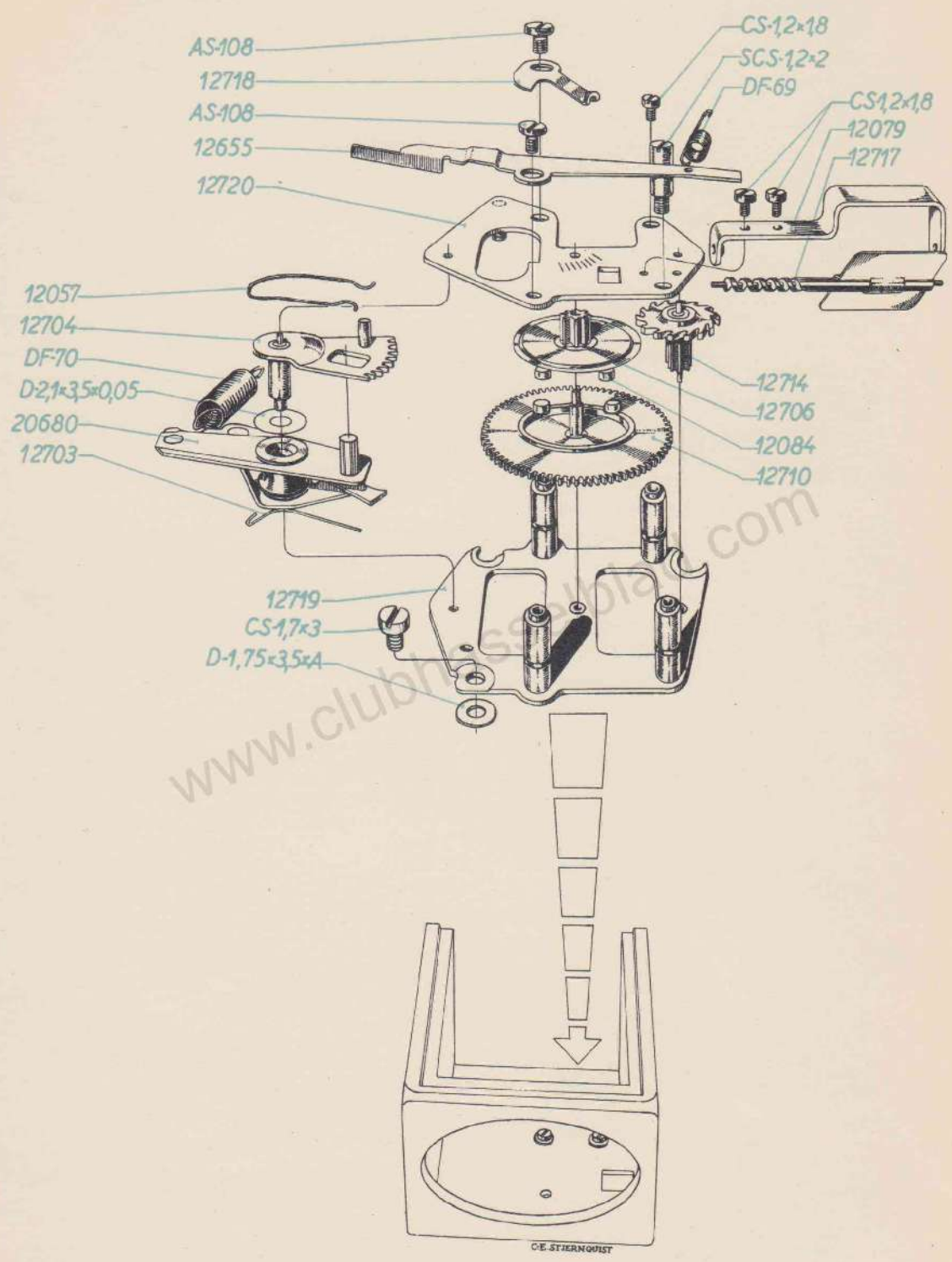
12703	}	20680	
		12057	
		12079	
		12084	(4)
		12655	
		12704	
		12706	
		12710	
		12714	
		12717	30250
		12718	CS-1.7×3
		12719	D-1.75×3.5×A
		12720	
		AS-108	(2)
		CS-1.2×1.8	(3)
		D-2.1×3.5×0.05	
		DF-69	
		DF-70	
		SCS-1.2×2	

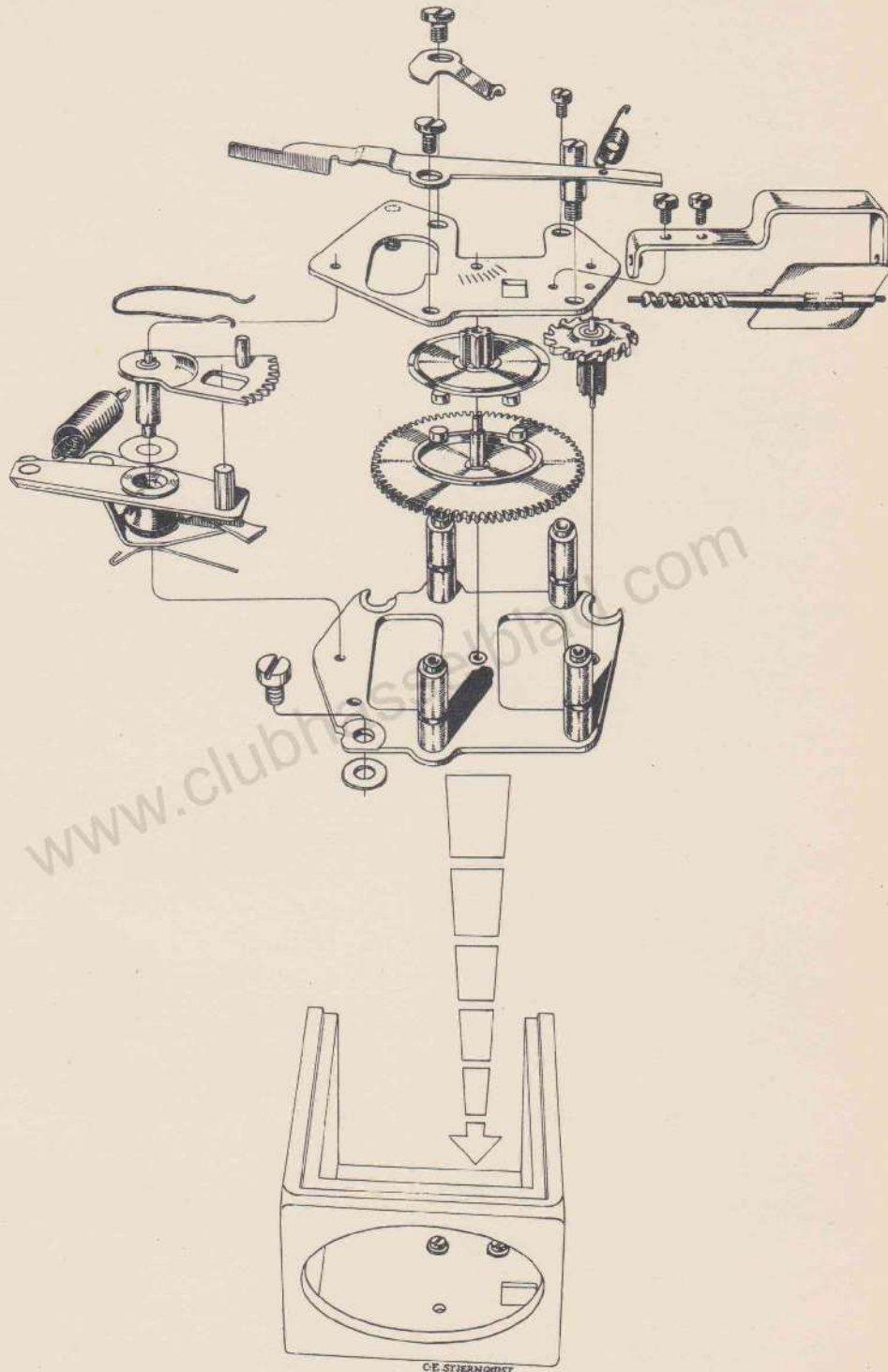
[www.clubhasselblad.com](http://www.clubhasselblad.com)



HASSELBLAD

SWEDEN





www.clubhasselblad.com



HASSELBLAD

SWEDEN



Exchanged 7/31/03

www.clubhasselblad.com

24161322A4

12092	}	30204	}
12094		12087	
12095		12090	
12096		12091	
12098		12097	
12110		12103	
12364		12119	
FS-1.7×4 (2)		12120	
		12336	
		AS-103	
	CS-1.7×2	20515	
	CS-1.7×3.5	12691	
	DF-53	12695	
	DF-72	AS-104	
	SCS-2×4	CS-1.2×1.5	
	SCS-2.3×3	FB-2	
	SCS-2.3×3v	CS-1.2×2	
	VF-30	SCS-1.7×2.5 (2)	
	VF-40	SCS-1.7×3.5 (2)	
		SCS-2×3.8	
		VF-41	

www.clubhasselblad.com



HASSELBLAD

SWEDEN

